

**CC-Link Data Transmission**

**Power Supply 24V DC/1A**

**Non-Contact**

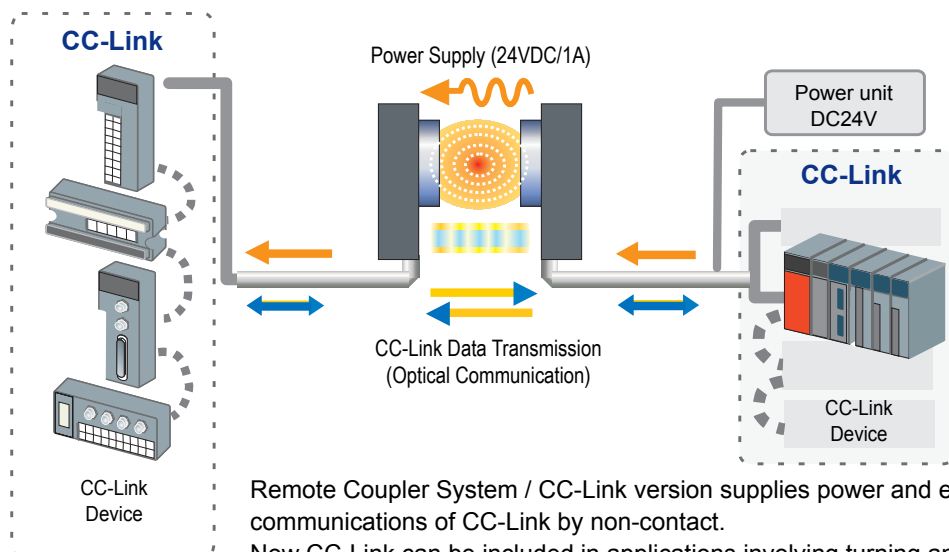


**Transmitting distance : 4...6mm**  
(Center off-set +5mm)

**Supply voltage : 24V DC/1A**  
(Transmitting distance : 5mm)

**Transmitting Speed : max.2.5Mbps**

**Construction of the System**

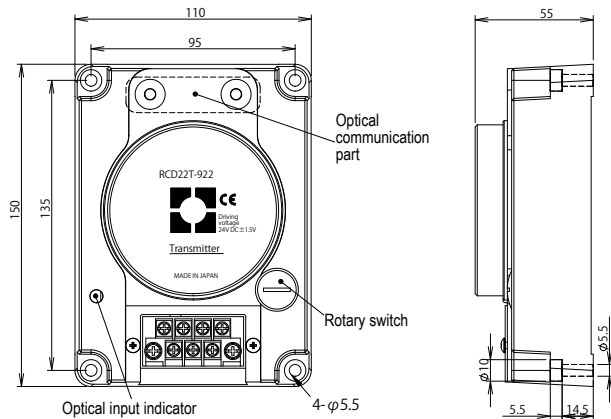


Remote Coupler System / CC-Link version supplies power and executes data communications of CC-Link by non-contact. Now CC-Link can be included in applications involving turning and or moving. It accomplished to install each unit of CC-Link in a device with a turn or movement.

## Specification and Dimension

### Remote

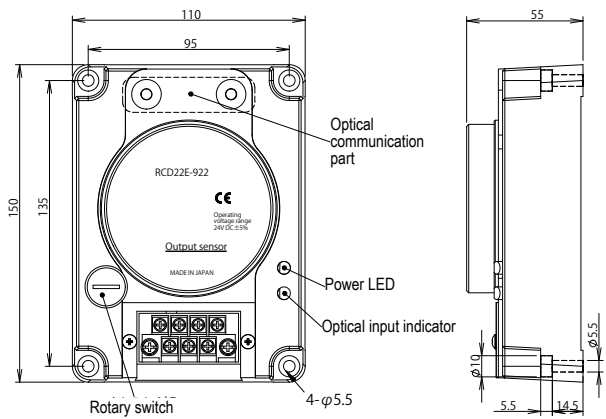
#### Dimension



Type number	RCD22T-922
Appropriate Base	RCD22E-922
Transmitting signal	CC-Link communication data
Transmitting speed	156kbps / 625kbps / 2.5Mbps (Set with a rotary switch)
Drive voltage	24±1.5V DC (ripple : =<1V)
Drive current	max.1A (transmitting distance at 5mm)
Transmitting distance	4...6mm (Center off-set +5mm)
Operating temperature	0...+50 deg.C.
Connection	7 poles 2 piece-terminal
Material	Case : Aluminum Transmitting surface : PBT+ABS

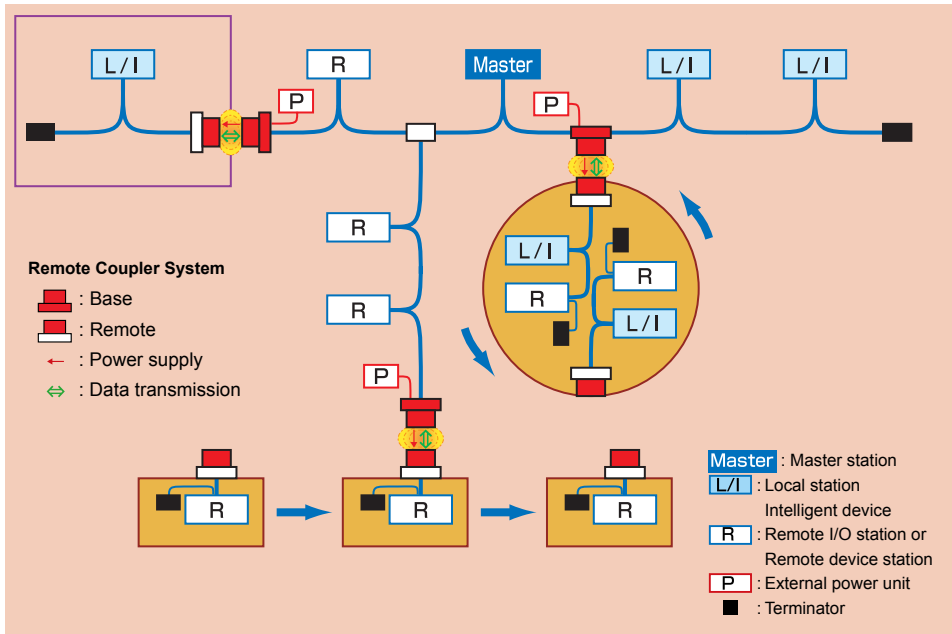
### Base

#### Dimension



Type number	RCD22E-922
Appropriate Base	RCD22T-922
Transmitting signal	CC-Link communication data
Transmitting speed	156kbps / 625kbps / 2.5Mbps (Set with a rotary switch)
Supply voltage	24V DC±5% (incl. ripple)
Drive current	max.3A (transmitting distance at 5mm)
Transmitting distance	4...6mm (Center off-set +5mm)
Operating temperature	0...+50 deg.C.
Connection	7 poles 2 piece-terminal
Material	Case : Aluminum Transmitting surface : PBT+ABS

## Construction Example of CC-Link System with Remote System



Remote Coupler System supplies power (24V /1A), it is possible to construct CC-Link System including applications with movement or rotation.

## Signals and Terminals

### Remote

1 DA	3 DG	5 +24V output	7 24G output
2 DB	4 SLD	6 FG	

### Base

1 DA	3 DG	5 +24V	7 24G
2 DB	4 SLD	6 FG	

## Setting for Baud Rate and Terminator

### Rotary Switch

SW	bps	Built-in Terminator (110ohm)
1	156k	Unused
2	625k	Unused
3	2.5M	Unused
4	156k	Used
5	625k	Used
6	2.5M	Used

## B & PLUS K.K.

274 Gomyo Tokigawa-machi  
Hiki-gun Saitama 355-0343 Japan  
E-mail : b-plus@b-plus-kk.jp

<http://www.b-plus-kk.jp>

## USA Branch

3940 Olympic Blvd. Suite 400  
Erlanger, KY 41018  
E-mail : b-plus-usa@b-plus-kk.com

<http://www.b-plus-kk.com>

\*Specification is subject to change without notice.