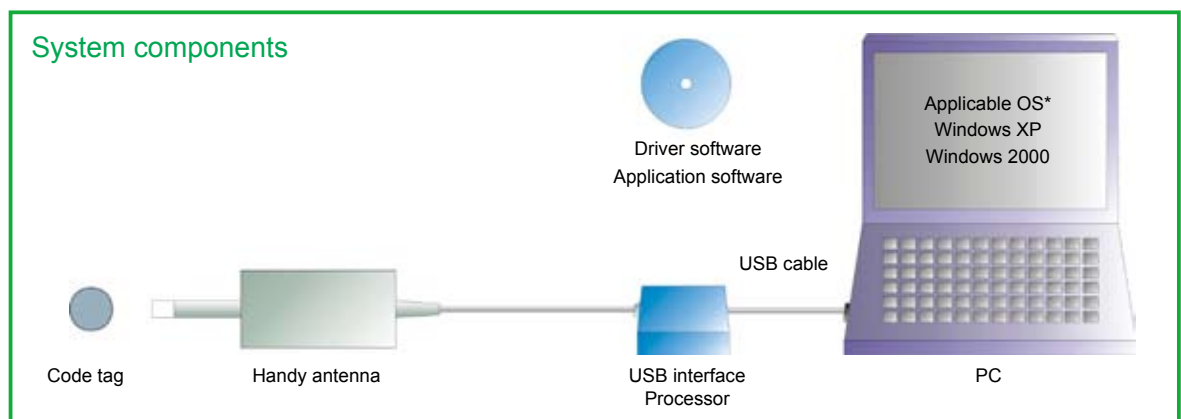


Identification Processor connects to a USB port directly !!



Read and write in 3 data formats

It corresponds to three kinds of data formats "Balluff standard protocol", "MELSEC / word" and "FANUC protocol / format I,II".

Connect to a USB port directly

It is possible to use the processor by connecting to a USB port of a PC, install the driver and application software.

Substantial functions

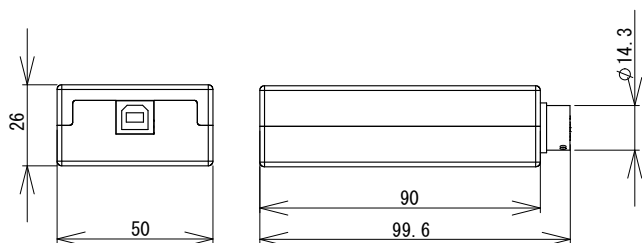
Substantial functions for identification communication with code tags such as "data editing", "data reading", "data writing and batch writing", "edited data reading and saving" and "data printing".

External power is unnecessary

There is no need for external power unit because power is supplied from the USB port.

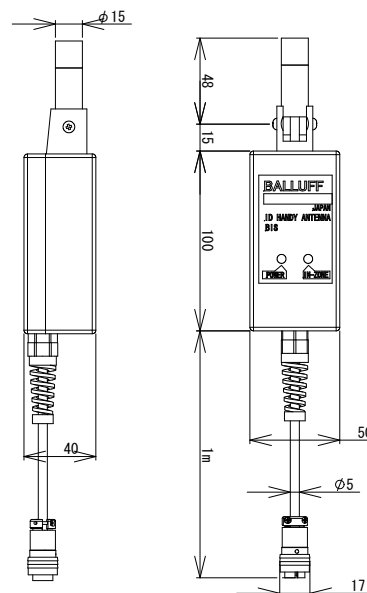
Specification / Dimension

USB interface / Processor



Interface	Based on USB Specification Rev 1.1
Type number	BIS H-4000-30
Supply voltage	5V DC+/-5% (supplied via USB)
Current consumption	0.45A
Operating temperature	0...+40 deg. C.
Connector for USB	B receptacle
for Handy antenna	Round connector with 6 poles (female)
Weight	70g
Attachment	CD-ROM (Driver software & application) Cable for USB 1m

Handy antenna



Type number	BIS H-3102 / BIS H-3103 / BIS S-850
Supply voltage	5V DC (supplied via processor)
Operating temperature	0...+40 deg.C.
Weight	ca.200g

*Applicable code tags for each Handy antenna are as follows.

Handy antenna	BIS series	Code tags
BIS H-3102	BIS-C series	BIS C-100-05/A, BIS C-117-05/A, BIS C-117-05/L
		BIS C-104-xx/A, BIS C-124-05/L, BIS C-108-xx/L
		BIS C-130-05/L
BIS H-3103	BIS-C series	BIS C-103-05/A, BIS C-105-05/A
		BIS C-122-04/L, BIS C-121-04/L
BIS S-850	BIS-S series	BIS S-108-32/L, BIS S-150-32/A

■ Specification is subject to change without notice.

B & PLUS K.K.

274 Gomyo Tokigawa-machi Hiki-gun
Saitama JAPAN
http ://www.b-plus-kk.jp
e-mail :b-plus@b-plus-kk.jp