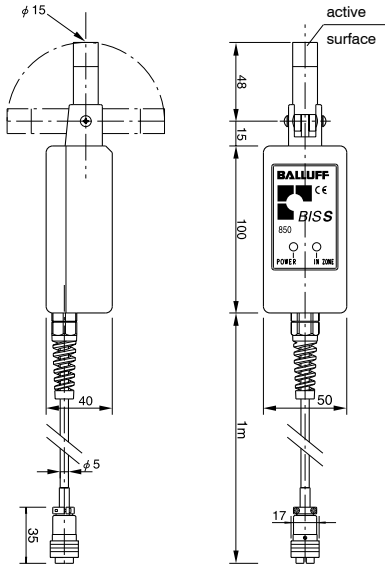


**Handy unit**

Antenna unit and Control unit for data check in the worksite.

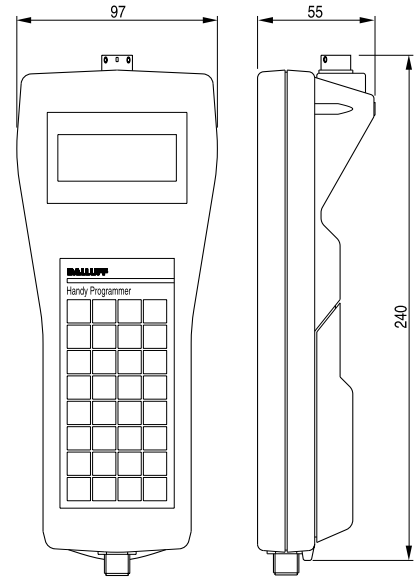
**Antenna unit**

Dimension



**Control unit**

Dimension



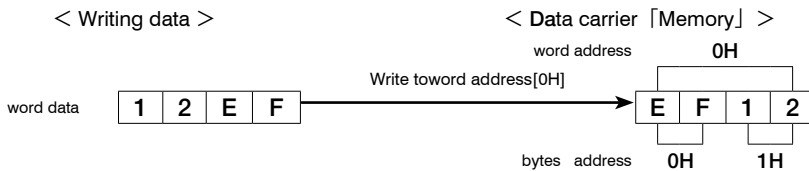
Type	BIS S-850
Supply voltage	5V DC (Supplied by Control unit)
Operating temperature range	0...+40°C
Storage temperature range	-10...+50°C
Protection class (IEC 60529)	IP 54
cable material	PVC
Applicable Data carrier	BIS S-108-32/L BIS S-150-32/A

Type	BIS S-810-0-006
Keypad	32 keys
Display	LCD display/80characters/4 rows
Battery	2.4V NiMH Battery (Included when delivery)
Battery capacity	1500mAh
Interface	RS-232C / Balluff protocol German version
Operating temperature range	0...+50°C
Storage temperature range	-10...+60°C
Protection class (IEC 60529)	
Connector for Handy antenna	

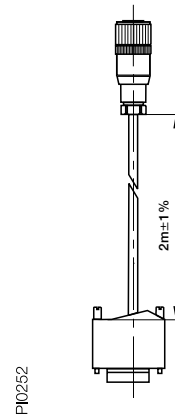
Accessories(option)	AC adapter	BIS C-701/A
	Battery charger	BIS C-702/A
	Battery pack (spare)	BIS C-81. 2.4V

**Read and Write of the word data**

Data(word data) written by MELSECbus and CC-LinkInterface to Data carrier will be written into Data carrier memory as per bytes as shown below. Please aware the difference of address between word and byte whenever perform read or write



**RS-232C communication cable**



Type
BIS C-522-PVC-02
cable material : PVC



- Products table
- Connection
- Data carrier
- R/W head
- Antenna cable
- Processor
- IF cable
- PC unit
- Handy unit
- installation notes