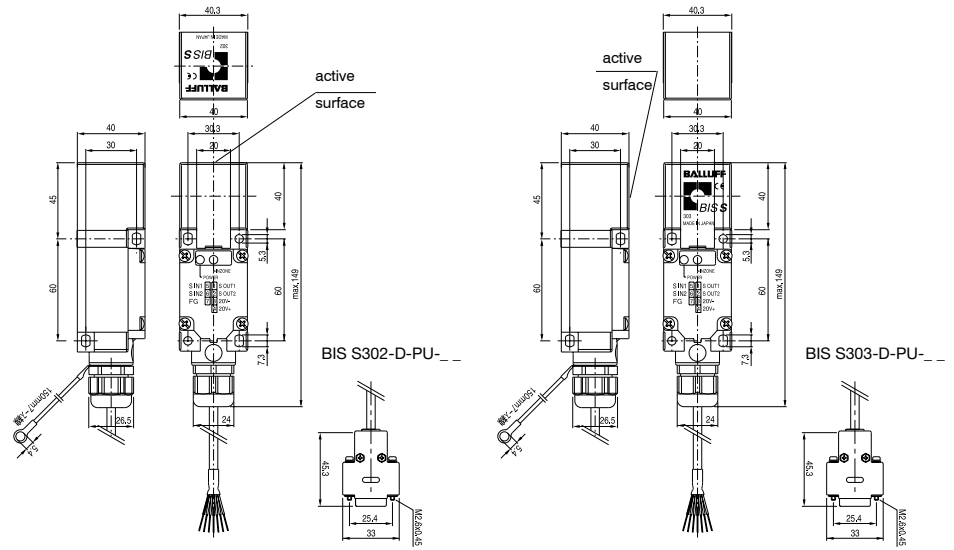


Size	40 x 40 x 149	40 x 40 x 149
Housing material	ABS resin with fiberglass	ABS resin with fiberglass
Dimension		

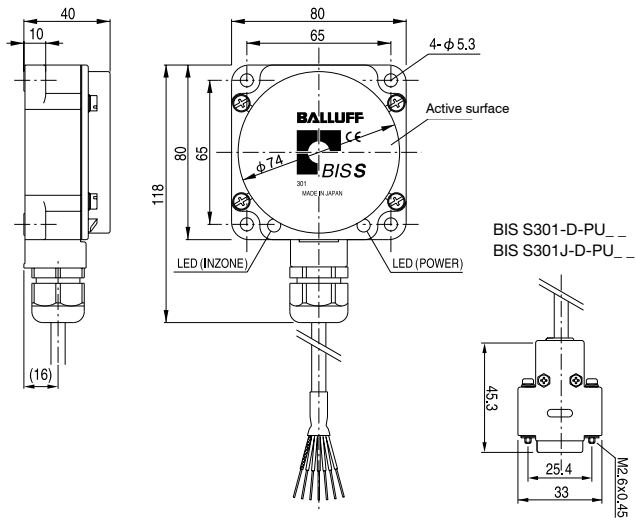


Type	Cable type	BIS S-302-PU-__	BIS S-303-PU-__
	D-subConnector付 Cable type	BIS S-302-D-PU-__	BIS S-303-D-PU-__
Mounting in steel		Non-flush mountable	Non-flush mountable
Operating temperature range		0...+70°C	0...+70°C
Storage temperature range		-20...+85°C	-20...+85°C
Protection class (Per IEC 60529)		IP 67	IP 67
Connection cable	cable material	PUR	PUR
	cable length	5m, 10m, 20m, 30m, 40m, 50m	5m, 10m, 20m, 30m, 40m, 50m

Applicable Data carrier			BIS S-108-32/L	BIS S-108-32/L
Mounting in steel			non flush	non flush
Write distance mm			5-20	5-20
Read distance mm			5-20	5-20
Off-set in mm	R/W distance	1mm	-	-
		5mm	±5	±5
		10mm	±5	±5
		15mm	±5	±5
		20mm	±5	±5
		30mm		
		40mm		
		50mm		

Please specify the type number as shown below;  
 (example) Read/ write head BIS S-302-PU-\_\_ with 5m cable length  
**BIS S-302-PU-05**  
 cable length \_\_\_\_\_

80 x 80 x 40  
PBT



BIS S301-D-PU-\_\_  
BIS S301J-D-PU-\_\_

BIS S-301-PU-\_\_  
BIS S-301-D-PU-\_\_

BIS S-301J-PU-\_\_  
BIS S-301J-D-PU-\_\_

Non-flush mountable

0...+50°C

-20...+85°C

IP 67

PUR

5m, 10m, 20m, 30m, 40m, 50m

BIS S-150-32/A

non flush

10-50

10-50

-

-

±5

±5

±5

±5

±5

±5

BIS S-150-32/A

non flush

10-45

10-45

-

-

±5

±5

±5

±5

±5

±5

BIS S-301J-PU-\_\_ and BIS S-301J-D-PU-\_\_ are conformed to the Japanese weak Radio law.

BIS S-301-PU-\_\_ and BIS S-301-D-PU-\_\_ are unable to use inside Japan.

BIS

S

Products table

Connection

Data carrier

R/W head

Antenna cable

Processor

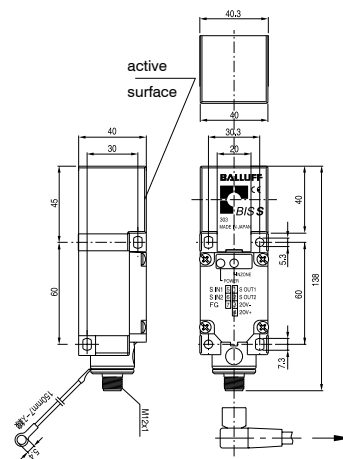
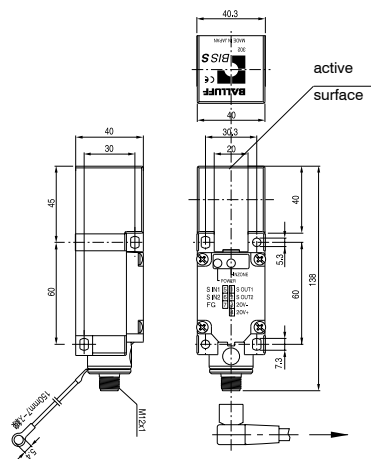
IF cable

PC unit

Handy unit

installation notes

Size	40 x 40 x 138	40 x 40 x 138
Housing material	ABS resin with fiberglass	ABS resin with fiberglass
Dimension		

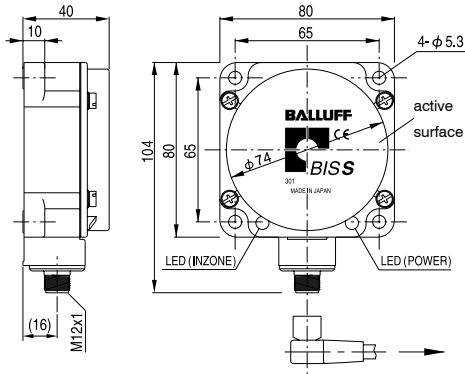


Type	BIS S-302-S115	BIS S-303-S115
Mounting in steel	Non-flush mountable	Non-flush mountable
Operating temperature range	0...+70°C	0...+70°C
Storage temperature range	-20...+85°C	-20...+85°C
Protection class (Per IEC 60529)	IP 67	IP 67
Antenna cable	BKS-S115-PU-__ / BKS-S115-D-PU-__ BKS-S116-PU-__ / BKS-S116-D-PU-__	BKS-S115-PU-__ / BKS-S115-D-PU-__ BKS-S116-PU-__ / BKS-S116-D-PU-__
cable length	2m, 5m, 10m, 15m	2m, 5m, 10m, 15m

Applicable Data carrier	BIS S-108-32/L	BIS S-108-32/L
Mounting in steel	non flush	non flush
Write distance mm	5-20	5-20
Read distance mm	5-20	5-20
Offset in mm		
R/W distance		
1mm	-	-
5mm	±5	±5
10mm	±5	±5
15mm	±5	±5
20mm	±5	±5
30mm		
40mm		
50mm		

Please specify the type number as shown below;  
(Example) R/W head BIS S302-S115 and Antenna cable BKS-S115-PU-\_\_  
cable length 5m  
Read/write head BIS S-302-S115  
Antenna cable BKS-S115-PU-05  
Antenna cable length

80 x 80 x 40  
PRT



BIS S-301-S115

BIS S-301J-S115

Non-flush mountable  
0...+50°C  
-20...+85°C  
IP 67

BKS-S115-PU-\_\_ / BKS-S115-D-PU-\_\_  
BKS-S116-PU-\_\_ / BKS-S116-D-PU-\_\_  
2m, 5m, 10m, 15m

BIS S-150-32/A

non flush  
10-50  
10-50

±5  
±5  
±5  
±5  
±5  
±5

BIS S-150-32/A

non flush  
10-45  
10-45

±5  
±5  
±5  
±5  
±5

BIS S-301J-S115 is conformed to the Japanese weak Radio law.  
BIS S-301-S115 is unable to use inside Japan.

BIS

S

Products table

Connection

Data carrier

R/W head

Antenna cable

Processor

IF cable

PC unit

Handy unit

installation notes