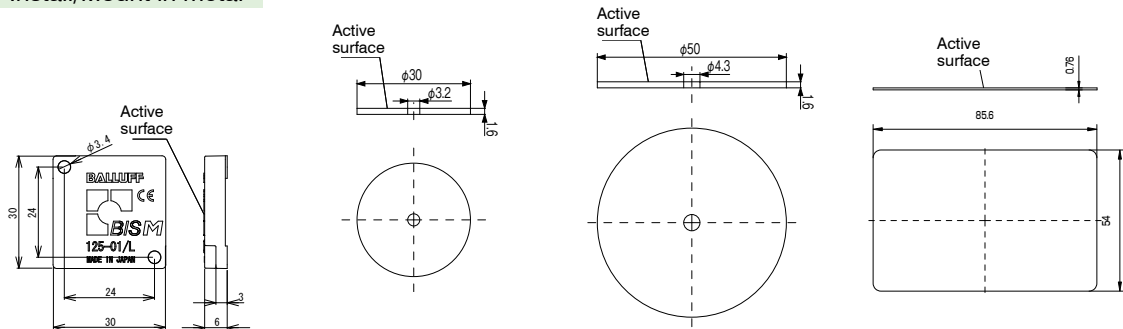


Mifare specification

Size	30 x 30 x 6	φ 30 x 1.6	φ 50 x 1.6	85.6 x 54 x 0.76
Housing material	PBT	EP	EP	PVC
Weight	≦ 7g	≦ 1.6g	≦ 2.5g	≦ 5.8g

Install/Mount in metal



Type		BIS M-125-01/L	BIS M-101-01/L	BIS M-102-01/L	BIS M-120-01/L				
Memory type		752 bytes/EEPROM	752 bytes/EEPROM	752 bytes/EEPROM	752 bytes/EEPROM				
Operating temperature range		-25...+70°C	-25...+70°C	-25...+70°C	-25...+70°C				
Storage temperature range		-40...+85°C	-40...+85°C	-40...+85°C	-25...+70°C				
Protection class		IP67	IP67*1	IP67*1	IP60				
Life time	Reading cycle	Unlimited	Unlimited	Unlimited	Unlimited				
	Writing cycle	100,000 times	100,000 times	100,000 times	100,000 times				
	Data hold	10 years	10 years	10 years	10 years				
		Mounted in metal	Installed on non-metal	Installed on non-metal	Installed on non-metal				
Communication distance	BIS M-300	0-15mm	0-20mm	-	0-22mm	-	0-32mm	-	-
	BIS M-301	-	0-28mm	-	0-34mm	-	0-45mm	-	0-50mm
	BIS M-302	-	-	-	0-16mm	-	0-20mm	-	-
	BIS M-400	0-15mm	0-20mm	-	0-20mm	-	0-28mm	-	-
	BIS M-401	-	0-27mm	-	0-28mm	-	0-45mm	-	0-50mm

Tightening torque : 1Nm

Tightening torque : 1Nm

*1 : BIS M-101-01/L, BIS M-102-01/L swells under following environment

Soaked in +20°C water for 6days: 0.3%

Soaked in +70°C water for 3days: 3.0%