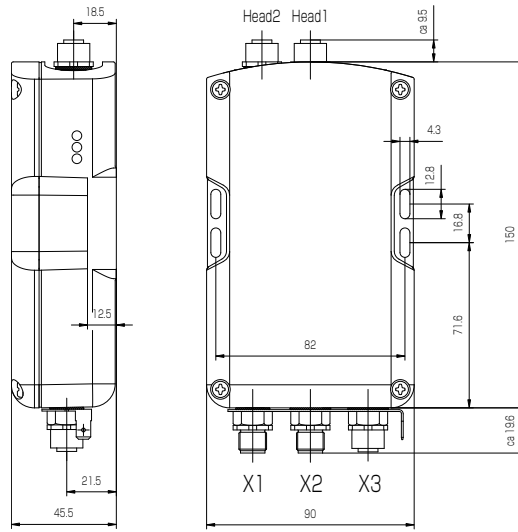


Number of connectable antenna
Interface

2CH

DeviceNet



Type	BIS M-6003-025-050-03-ST12
Supply voltage	24V DC \pm 20%
Current consumption	\leq 0.4A
Ambient temperature range	0... +50°C
Connection to Read/ write head	Connector cable : BIS Z-501-PU1-__/A / BIS Z-502-PU1-__/A
Connection to Host PLC	X2 (DeviceNet input) : BKS-S 92-00 X3 (DeviceNet output) : BKS-S 94-00 / BKS-S 94-R01
Remarks	EDS file included

Please request the instruction manual for details about specifications.