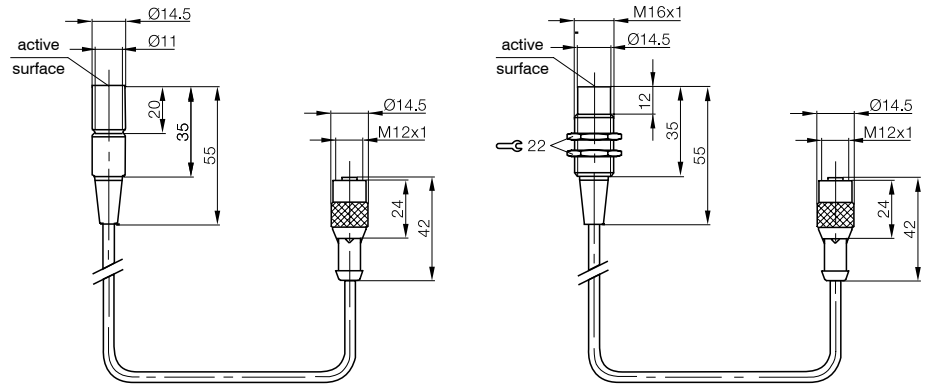



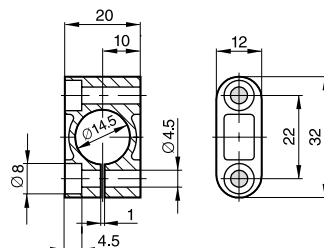
Size	$\phi 14.5 \times 55$	M16 x 55
Housing material	Nickel plated brass	Nickel plated brass
Weight	210g	200g
Available for Mini-flag system BIS C/R series	○	○
Dimension		



Type	BIS C-300-__	BIS C-306-__
Mounting in steel	Flush mountable	
Operating temperature range	0...+70°C	
Storage temperature range	-20...+85°C	
Protection class (Per IEC 60529)	IP 67	
Connection type	cable	
Connection cable	PUR	
	1m, 5m, 10m ¹⁾	
ID converter	 No need when connecting to ID processor with integrated converter	

Applicable Data carrier										
		BIS C-100-05/A	BIS C-103-05/A	BIS C-105-05/A	BIS C-121-04/L	BIS C-122-04/L	BIS C-124-05	BIS C-130-05/L	BIS C-191-__/L	
Mounting in steel		flush	flush	flush	flush	flush	nonflush	flush	nonflush	nonflush
Write distance mm		0-4	0-3.5	0-3.5	0-2	0-2.5	0-3	0-4	0-4	0-3.5
Read distance mm		0-4	0-3.5	0-3.5	0-2	0-2.5	0-3	0-4	0-4	0-3.5
Offset in mm at distance	1mm	±3	±3	±3	±2	±2.5	±3	±3.5	±5	±4
	3mm	±2	±2	±2				±3	±3	±3
	5mm									
	7mm									
	10mm									
	15mm									

Clamping cuff for BIS C-300 (Option)



Type	BES 14.5-BS-1
------	----------------------

Please specify the type number as shown below;
(example)
Read/write head **BIS C-300-__** cable length 5m
BIS C-300-05
cable length

When installing in aluminum, read/write distance and permissible offset may differ from the table.

1) At 10m cable length, read/write distance is reduced by 10%.
Cables on read/write heads must not be shortened, since functionality can then no longer be ensured.

M18 x 80

PBT

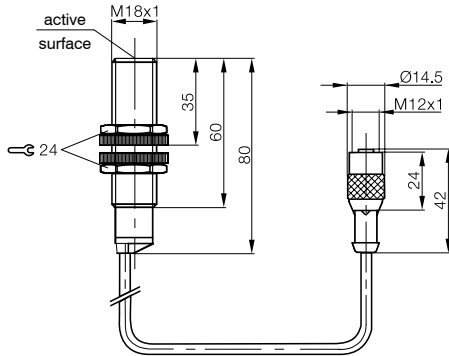
197g



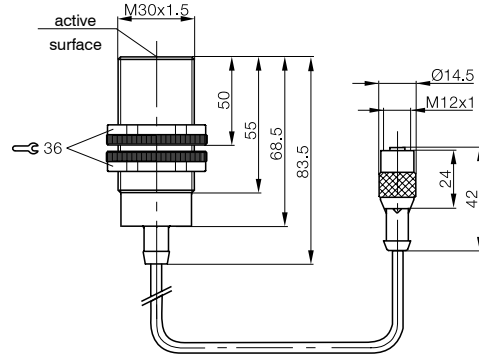
M30 x 83.5

PVDF

270g



PI0063a



PI0125a

BIS C-319-PU1-__

Non-flush mountable

0...+70°C

-20...+85°C

IP 67

cable

PUR

1m, 5m, 10m¹⁾



No need when connecting to ID processor with integrated converter

BIS C-326-PU1-__

Non-flush mountable

0...+70°C

-20...+85°C

IP 67

cable

PUR

5m, 10m¹⁾



No need when connecting to ID processor with integrated converter

BIS C-108-__/_L

BIS C-117-05/_L

BIS C-130-05/_L

BIS C-191-__/_L

nonflush	nonflush	nonflush	nonflush
0-14	0-15	0-13	0-11
0-14	0-15	0-13	0-11
±12	±13	±9	±9
±12	±12	±9	±9
±11	±11	±9	±9
±11	±11	±8.5	±8
±9	±10	±7.5	

BIS C-117-05/_L

BIS C-128-__/_L

BIS C-130-__/_L

BIS C-190-__/_L

nonflush	— ²⁾	nonflush	nonflush	nonflush
0-18	0-12.5	0-15	0-13	0-18
0-18	0-12.5	0-15	0-13	0-18
±15	±13	±14	±12	±17
±15	±12	±14	±12	±17
±15	±12	±14	±10	±17
±14	±11	±14	±10	±16
±11	±8	±8.5		±14

2) mounting on steel.

BIS

C

Products table

Connection

Data carrier

R/W head

Antenna cable

ID converter

Processor

ID cable

IF cable

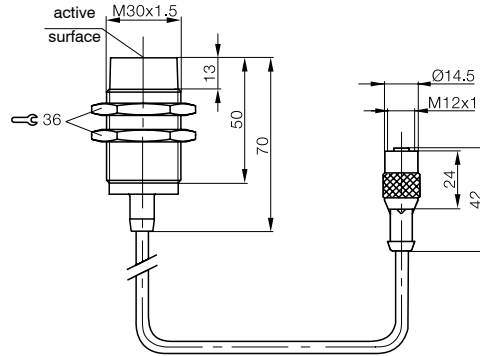
PC unit


Handy unit

Data coupler unit

installation notes

Size	M30 x 70
Housing material	Nickel plated brass
Weight	314g
Available for Mini-flag system BIS C/R series	⊙
Dimension	



Type	BIS C-310-__				
Mounting in steel	Non-flush mountable				
Operating temperature range	0...+70°C				
Storage temperature range	-20...+85°C				
Protection class (Per IEC 60529)	IP 67				
Connection type	cable				
Connection cable	<table border="1"> <tr> <td>cable material</td> <td>PUR</td> </tr> <tr> <td>cable length</td> <td>1m, 5m, 10m¹⁾</td> </tr> </table>	cable material	PUR	cable length	1m, 5m, 10m ¹⁾
cable material	PUR				
cable length	1m, 5m, 10m ¹⁾				
ID converter	 No need when connecting to ID processor with integrated converter				

Applicable Data carrier			BIS C-104-__/_A	BIS C-108-__/_L	BIS C-117-05/A	BIS C-117-05/L	BIS C-124-05	BIS C-128-__/_L	BIS C-130-05/L	BIS C-190-__/_L	BIS C-191-__/_L		
Mounting in steel	Write distance	mm	flush	non flush	non flush	flush	non flush	non flush	flush	non flush	non flush	non flush	
			1-11	0-12	0-12	1-12	0-13	0-9	0-8	0-13	0-11	0-10	
	Read distance	mm	1-11	0-12	0-12	1-12	0-13	0-9	0-8	0-13	0-11	0-10	
Offset in mm	at distance	1mm	±7.5	±7.5	±10	±7.5	±11	±9	±8	±10	±9	±10	
		3mm	±7	±7	±9	±7.5	±10	±8	±7	±10	±8	±9	
		5mm	±7	±7	±9	±7	±10	±7	±6.5	±9	±7	±9	
		7mm	±7	±7	±8.5	±6.5	±9.5	±5	±5.5	±9	±5	±9	
		10mm										±6.5	
		15mm											
		20mm											

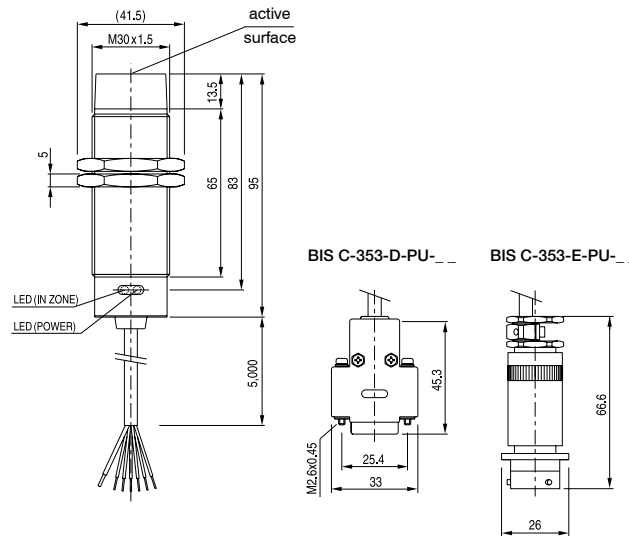
Please specify the type number as shown below;
example: BIS C-310-__ with cable length 5m
 BIS C-310-05
 cable length _____

1) At 10m cable length, read/write distance is reduced by 10%.
Cables on read/write heads must not be shortened, since functionality can then no longer be ensured.

M30 x 95

Nickel plated brass

440g



LED = GR : antenna valid
YE : INZONE

BIS C-353-__¹⁾-PU-__

Non-flush mountable

0...+50°C

-20...+80°C

IP 67

cable

PUR

5m (Extended by junction cable : max.50m)

Built-in converter

BIS C-100-05/A	BIS C-103-__/A	BIS C-104-__/A	BIS C-105-__/A	BIS C-108-__/L	BIS C-117-05/A	BIS C-117-05/L	BIS C-121-04/L	BIS C-122-04/L	BIS C-124-05	BIS C-128-05/L	BIS C-130-05/L	
flush	flush	flush	flush	non flush	flush	non flush	non flush	non flush	non flush	non flush	flush	non flush
2-9	2-7	2-15	2-7	2-17	2-15	3-20	2-7	3-7	4-14	4-20	0-8	2-13
2-9	2-7	2-15	2-7	2-17	2-15	3-20	2-7	2-7	4-14	4-20	0-8	2-13
-	-	-	-	-	-	-	-	-	-	-	±5	-
±6	±3	±6	±3	±9	±6	-	±4	±3.5	-	-	±5	±7
±6	±3	±9	±3	±9	±9	±12	±4	±4	±7	±12	±5	±7
		±9		±9	±9	±12			±7	±12	±5	±7
		±9		±9	±9	±12			±7	±12		±7
		±6		±7	±6	±10				±10		
						±8				±8		

1)When ordering, please specify the connecting specifications by filling the blank in type below.

(Example)

Read/ write head BIS C-353-__

PU-05

Connection specifications

Blank : Standard

D : With D-sub Connector

Connecting specifications of BIS C-353-__-PU-__ and Processor

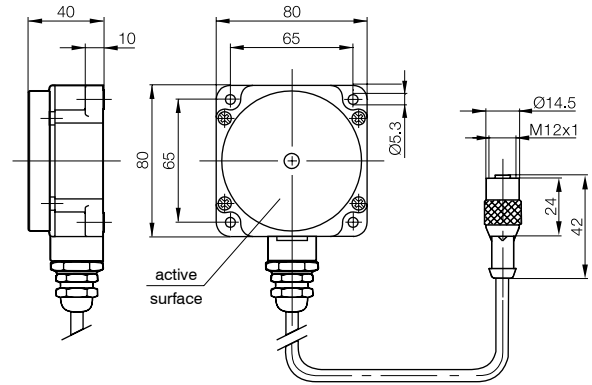
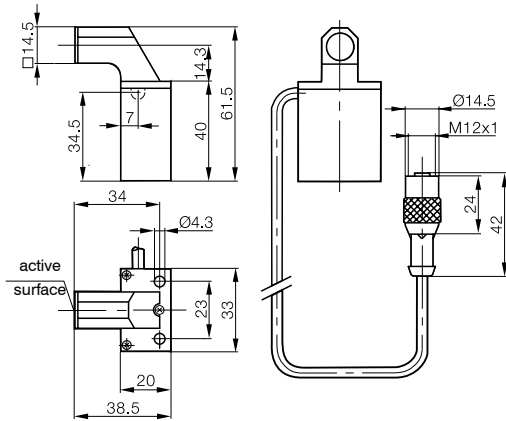
Select the suitable Read/write head for your Processor's antenna connecting specifications

Read/ write head Type	Applicable extension cable Type	Connectable Processor ²⁾ Type	Antenna connection
BIS C-353-PU-__	-	BIS C-487-1 □	terminal block
BIS C-353-E-PU-__	BIS C-503-ST-PU-__	BIS C-488-00	
BIS C-353-D-PU-__	-	BIS C-481-A3 □	D-sub 9pin
		BIS C-481-ZM1 □	
		BIS C-482-Z □ □	
BIS C-353-E-PU-__	BIS C-502-STF-PU-__	BIS C-489-1 □ -KBT02	

2) BIS C-353-__-PU-__ is the built-in converter type and therefore it is not possible to be used with any controllers other than controllers which shown in above.

Angle
Aluminum + Nylon
270g
○

80 x 80 x 40
PBT
510g
○



BIS C-302-__
Flush mountable
0...+70°C
-20...+85°C
IP 67
cable
PUR
5m, 10m ¹⁾
No need when connecting to ID processor with integrated converter

BIS C-315-__
Flush mountable
0...+70°C
-20...+85°C
IP 67
cable
PUR
1m, 5m, 10m ¹⁾
No need when connecting to ID processor with integrated converter

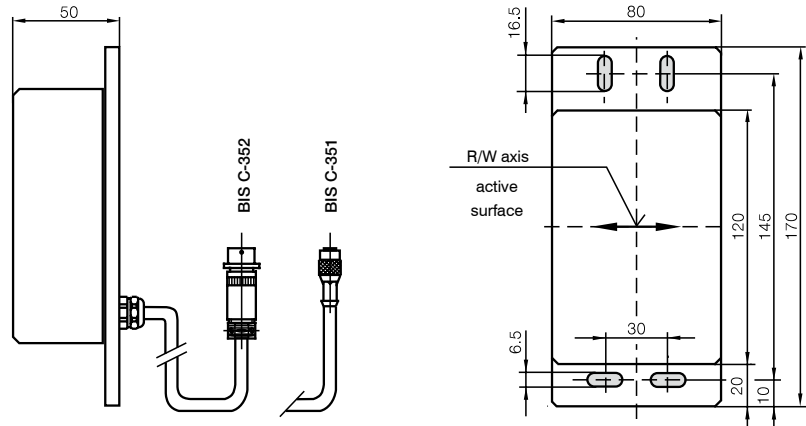
BIS C-100-05/A	BIS C-103-05/A	BIS C-105-05/A	BIS C-121-04/L	BIS C-122-04/L	BIS C-130-05/L	BIS C-191-__/L
flush	flush	flush	flush	flush	flush	non flush
0-4	0-3	0-3	0-1.5	0-2	0-3.5	0-4
0-4	0-3	0-3	0-1.5	0-2	0-3.5	0-4
±3	±3	±3	±1.5	±2	±3	±5
±2	±1.5	±1.5			±2	±3
						±2


BIS C-104-__/A	BIS C-108-__/L	BIS C-117-05/A	BIS C-117-05/L	BIS C-127-05/L	BIS C-128-__/L	BIS C-130-05/L	BIS C-190-__/L
flush	non flush	flush	non flush	non flush	non flush	non flush	non flush
1-13	2-16	0-15	0-20	10-30	0-18	0-18	0-20
1-13	2-16	0-15	0-20	10-30	0-18	0-18	0-20
±15	-	±15	±17	-	±17	±16	±18
±14	±14	±15	±17	-	±17	±16	±18
±11	±12	±14	±17	-	±17	±16	±18
±10	±11	±12	±15	-	±15	±14	±18
±8	±8	±12	±15	±30	±15	±14	±18
			±14	±27	±14	±11	±16
				±20			

BIS
C

- Products table
- Connection
- Data carrier
- R/W head
- Antenna cable
- ID converter
- Processor
- ID cable
- IF cable
- PC unit
- Handy unit
- Data coupler unit
- installation notes

Size	170 x 80 x 50
Housing material	Polyacetate
Weight	595g
Available for Mini-flag system BIS C/R series	-
Dimension	



Type	BIS C-351-__	BIS C-352-00.3
Mounting in steel	Non-flush mountable	Non-flush mountable
Operating temperature range	-20...+80°C	-20...+80°C
Storage temperature range	-20...+85°C	-20...+85°C
Protection class (Per IEC 60529)	IP 67	IP 67
Connection type	cable	cable
Connection cable	cable material PUR	PUR
	cable length 5m, 10m ¹⁾	0.3m
ID converter	 No need when connecting to ID processor with integrated converter	Built-in converter

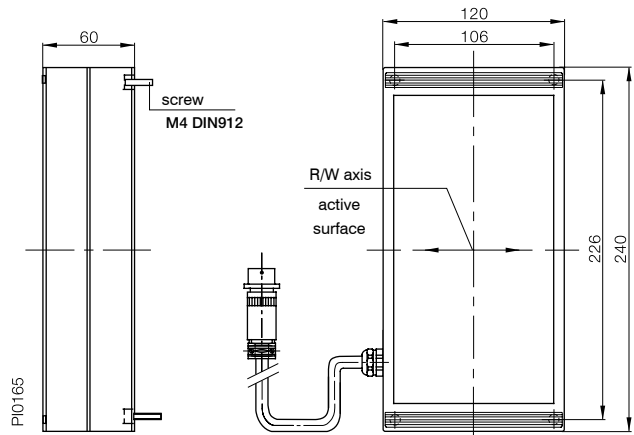
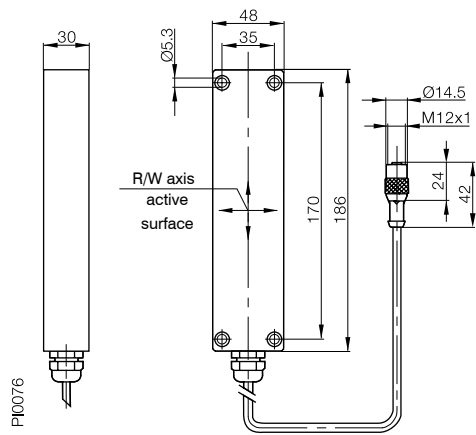
Applicable Data carrier		BIS C-150-05/A	BIS C-150-11/A	BIS C-150-32/A	BIS C-150-05/A	BIS C-150-11/A	BIS C-150-32/A
Mounting in steel		non flush	non flush	non flush	non flush	non flush	non flush
Write distance	mm	40	40	40	40	40	40
Read distance	mm	50	50	50	50	50	50
Offset in mm	at distance						
	1mm	-	-	-	-	-	-
	5mm	-	-	-	-	-	-
	10mm	±15	±15	±15	±15	±15	±15
	20mm	±15	±15	±15	±15	±15	±15
	30mm						
	35mm						
42mm							
60mm							

Please specify the type number as shown below;
example: **BIS C-318-__** with cable length 5m
BIS C-318-05
cable length

1) At 10m cable length, read/write distance is reduced by 10%.
Cables on read/write heads must not be shortened, since functionality can then no longer be ensured.

186 x 48 x 30
Nylon
550g
-

240 x 120 x 60
Polycarbonat
976g
-



BIS C-318-__
Non-flush mountable
0...+70°C
-20...+85°C
IP 65
cable
PUR
5m, 10m ¹⁾

BIS C-350-00.3
Non-flush mountable
0...+40°C
-20...+85°C
IP 67
cable
PUR
0.3m



No need when connecting to ID processor with integrated converter

Built-in converter

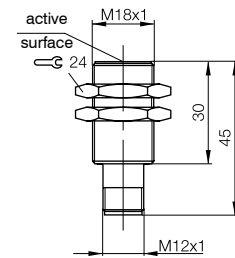
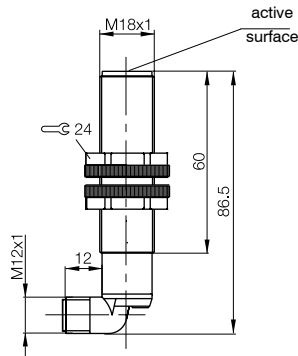
BIS C-108-__/_L	BIS C-117-05/L	BIS C-127-05/L	BIS C-128-__/_L	BIS C-190-__/_L
non flush	non flush	non flush	non flush	non flush
0-7	0-7	0-25	0-7.5	8
0-7	0-7	0-25	0-7.5	8
±9.5	±9.5	-	±11	±11
±8.5	±8.5	-	±8	±10
		±16		
		±14		



BIS C-150-05/A	BIS C-150-11/A	BIS C-150-32/A
non flush	non flush	non flush
90	90	90
100	100	100
-	-	-
-	-	-
±30	±30	±30
±30	±30	±30
-	-	-
-	-	-
-	-	-
±30	±30	±30

BIS
C

- Products table
- Connection
- Data carrier
- R/W head**
- Antenna cable
- ID converter
- Processor
- ID cable
- IF cable
- PC unit
- Handy unit
- Data coupler unit
- installation notes

Size	M18 x 86.5	M18 x 45
Housing material	PBT	Stainless steel
Weight	40g	26g
Available for Mini-flag system BIS C/R series	-	-
Dimension		



Type	BIS C-319 / __-S4	BIS C-325 / __-S4
Mounting in steel	Non-flush mountable	Flush mountable
Operating temperature range	0...+70°C	0...+70°C
Storage temperature range	-20...+85°C	-20...+85°C
Protection class (Per IEC 60529)	IP 67	IP 67
Connection type	Connector	Connector
Antenna cable	BIS C-505-PU-__ / BIS C-506-PU-__ BIS C-517-PVC-__ / BIS C-518-PVC-__	BIS C-505-PU-__ / BIS C-506-PU-__ BIS C-517-PVC-__ / BIS C-518-PVC-__
cable length	1m, 5m, 10m ¹⁾	1m, 5m, 10m ¹⁾
ID converter	 No need when connecting to ID processor with integrated converter	 No need when connecting to ID processor with integrated converter

Applicable Data carrier		BIS C-108-__/_L	BIS C-117-05/L	BIS C-130-05/L	BIS C-191-__/_L		BIS C-100-05/A	BIS C-122-__/_L	BIS C-130-05/L	BIS C-191-__/_L
Mounting in steel		non flush	non flush	non flush	non flush		flush	flush	non flush	non flush
Write distance mm		0-14	0-15	0-13	0-11		0-4	0-2.5	0-4	0-3
Read distance mm		0-14	0-15	0-13	0-11		0-4	0-2.5	0-4	0-3.5
Offset in mm	at distance	1mm	±12	±13	±9	±9	±3.5	±2.5	±4	±4
		3mm	±12	±12	±9	±9	±3		±2	±3
		5mm	±11	±12	±9	±9				
		7mm	±11	±11	±8.5	±8				
		10mm	±9	±10	±7.5					
		15mm								
		20mm								

Please specify the type number as shown below;
example: **BIS C-319 / __-S4** and **BIS C-505-PU-__** with cable length **5m**

Read/write head **BIS C-319 / 05-S4**

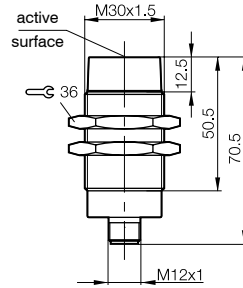
Antenna cable length


Antenna cable **BIS C-505-PU-05**

Antenna cable length

The cable length should be the same as the length shown in the type number of a read/write head.

M30 x 70.5
Stainless steel
90g
-

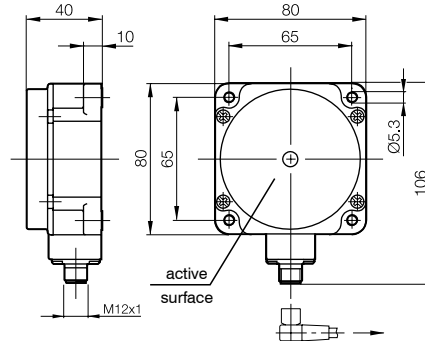



BIS C-323 / __-S4
Non-flush mountable
-20...+70°C
-20...+85°C
IP 67
Connector
BIS C-505-PU-__ / BIS C-506-PU-__
BIS C-517-PVC-__ / BIS C-518-PVC-__
5m, 10m ¹⁾
 No need when connecting to ID processor with integrated converter

	BIS C-104-__-_/A		BIS C-108-__-_/L		BIS C-117-05/A		BIS C-117-05/L		BIS C-128-__-_/L		BIS C-130-05/L		BIS C-190-__-_/L		BIS C-191-__-_/L	
	flush	non flush	non flush	flush	non flush	flush	non flush	flush	non flush	non flush	non flush	non flush	non flush	non flush	non flush	
	1-11	0-12	0-12	1-12	0-13	0-8	0-13	0-11	0-11	0-11	0-11	0-11	0-11	0-11	0-10	
	±7.5	±7.5	±10	±7.5	±11	±8	±10	±9	±10	±9	±10	±9	±10	±8	±7.5	
	±7	±7	±9	±7.5	±10	±7	±10	±8	±9	±8	±9	±9	±9	±7.5	±7	
	±7	±7	±9	±7	±10	±6.5	±9	±7	±9	±7	±9	±9	±9	±7	±7	
	±7	±7	±8.5	±6.5	±9.5	±5.5	±9	±5	±8	±5	±8	±8	±8	±6.5	±6.5	

1) At 10m cable length, read/write distance is reduced by 10%.
Cables on read/write heads must not be shortened, since functionality can then no longer be ensured.

Size	80 x 80 x 40
Housing material	PBT
Weight	410g
Available for Mini-flag system BIS C/R series	-
Dimension	



Type	BIS C-315 / _-S4
Mounting in steel	Non-flush mountable
Operating temperature range	0...+70°C
Storage temperature range	-20...+85°C
Protection class (Per IEC 60529)	IP 67
Connection type	Connector
Antenna cable	BIS C-505-PU-__ / BIS C-506-PU-__ BIS C-517-PVC-__ / BIS C-518-PVC-__
cable length	5m, 10m ¹⁾
ID converter	 No need when connecting to ID processor with integrated converter

Applicable Data carrier

	BIS C-104-__/_A	BIS C-108-__/_L	BIS C-117-05/A	BIS C-117-05/L	BIS C-127-05/L	BIS C-128-__/_L	BIS C-130-05/L	BIS C-190-__/_L
Mounting in steel	flush	non flush	flush	non flush	non flush	non flush	non flush	nonflush
Write distance mm	1-13	2-16	0-15	0-20	10-30	0-18	0-18	0-20
Read distance mm	1-13	2-16	0-15	0-20	10-30	0-18	0-18	0-20
Offset in mm								
at distance								
1mm	±15	-	±15	±17	-	±17	±16	±18
3mm	±14	±14	±15	±17	-	±17	±16	±18
5mm	±11	±12	±14	±17	-	±17	±16	±18
7mm	±10	±11	±12	±15	-	±15	±14	±18
10mm	±8	±8	±12	±15	±30	±15	±14	±18
15mm				±14	±27	±14	±11	±16
20mm					±20			

Please specify the type number as shown below;

example : BIS C-315 / _-S4 and a cable BIS C-505-PU-__ with cable length 5m

Read/write head BIS C-315 / 05-S4

antennacable length _____

antennacable BIS C-505-PU-05

antennacable length _____

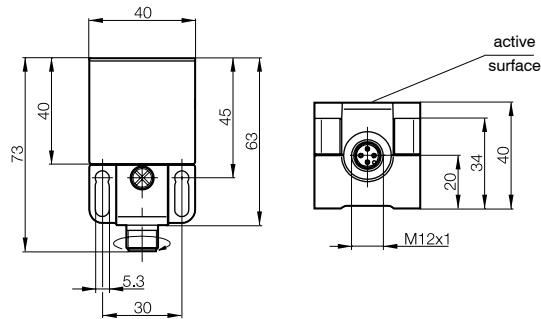
The cable length should be the same as the length shown in the type number of a read/write head.

40 x 40 x 73

PBT

180g

-



P10167a

BIS C-324 / _ _ -S4

Flush mountable

0...+70°C

-20...+85°C

IP 67

Connector

BIS C-505-PU- _ _ / BIS C-506-PU- _ _

BIS C-517-PVC- _ _ / BIS C-518-PVC- _ _

5m, 10m¹⁾



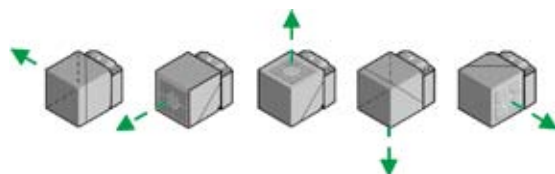
No need when connecting to ID processor
with integrated converter

BIS C-104- _ _ /A		BIS C-108- _ _ /L		BIS C-117-05/A		BIS C-117-05/L		BIS C-128- _ _ /L		BIS C-130-05/L		BIS C-190- _ _ /L		BIS C-191- _ _ /L	
flush	non flush	non flush	flush	non flush	flush	non flush	flush	non flush	non flush	non flush	non flush	non flush	non flush	non flush	non flush
1-11	0-12	0-12	1-12	0-13	0-8	0-13	0-11	0-11	0-10						
±7.5	±7.5	±10	±7.5	±11	±8	±10	±9	±10	±8						
±7	±7	±9	±7.5	±10	±7	±10	±8	±9	±7.5						
±7	±7	±9	±7	±10	±6.5	±9	±7	±9	±7						
±7	±7	±8.5	±6.5	±9.5	±5.5	±9	±5	±8	±6.5						
													±6.5		

1) At 10m cable length, read/write distance is reduced by 10%.

Cables on read/write heads must not be shortened,
since functionality can then no longer be ensured.

2) Active surface can be changed to 5 directions as below.



BIS

C

Products table

Connection

Data carrier

R/W head

Antenna cable

ID converter

Processor

ID cable

IF cable

PC unit

Handy unit

Data coupler unit

installation notes