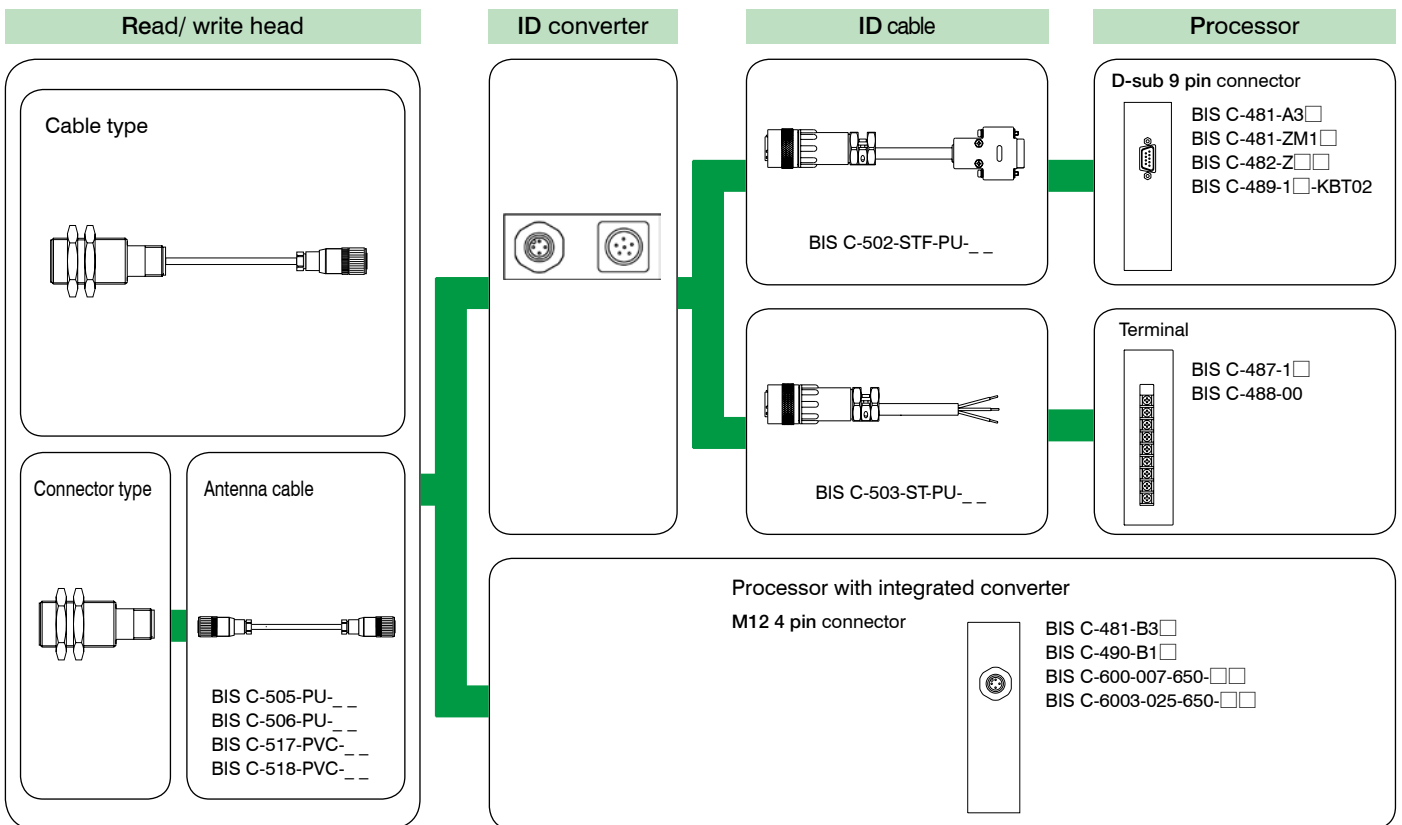
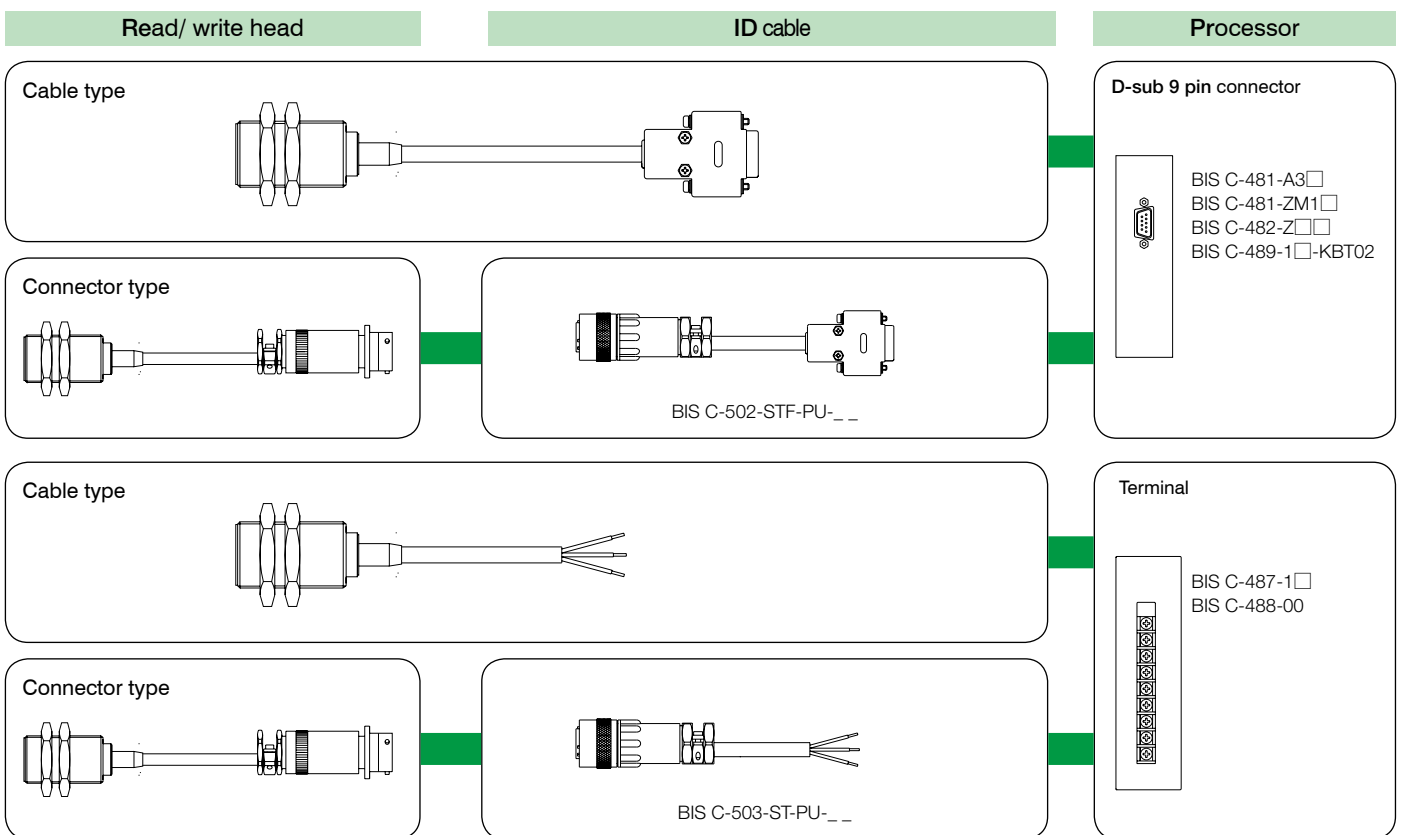


Read/write head ↔ Processor

Connection of the R/W head with an external converter



Connection of the R/W head with built-in converter



● It is not possible to connect Read/write head with built-in converter and Processor with Built-in converter.