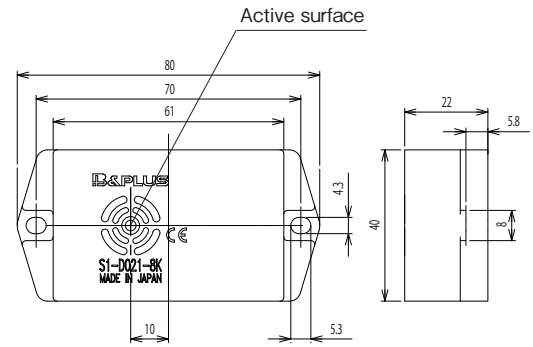
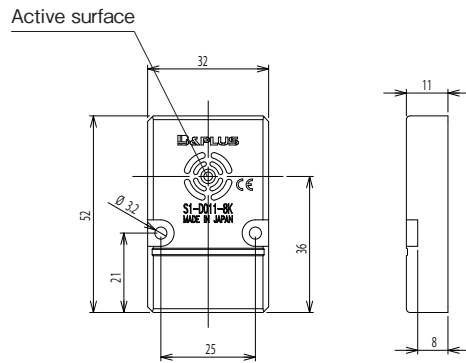


Size	52 x 32 x 11	40 x 80 x 22
Case material	PBT	POM
Weight	25g	95g



Type code		S1-D011-8K		S1-D021-8K			
Memory type		8K byte/FRAM		8K byte/FRAM			
Operating temperature		0...+70°C		0...+70°C			
Storage temperature		-20...+70°C		-20...+70°C			
Protection class		IP67		IP67			
Life time	Reading cycle	Unlimited		Unlimited			
	Writing cycle	Unlimited		Unlimited			
	Retention time	10 years		10 years			
Mounting		Metal mounting (Non-flush mount)	Non-metal mounting	Metal mounting (Non-flush mount)	Non-metal mounting		
	Applicable Read/write head and communication distance	S3-A010	5...30mm	5...30mm	S3-A010	10...50mm	10...50mm
		S3-A020	5...20mm	5...20mm	S3-A010J	10...45mm	10...45mm
		S3-A030	5...20mm	5...20mm			




**S**  
series

Product list

Product configuration

Data carrier

Read/Write head

Processor

PC unit

Accessories

Surrounding metal / Mutual interference