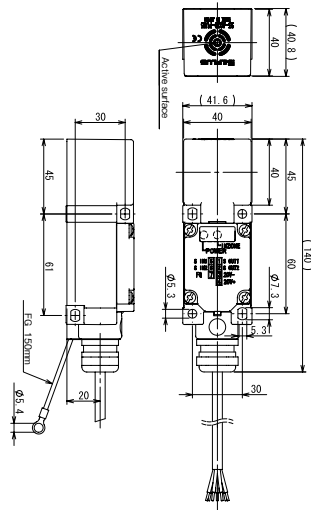
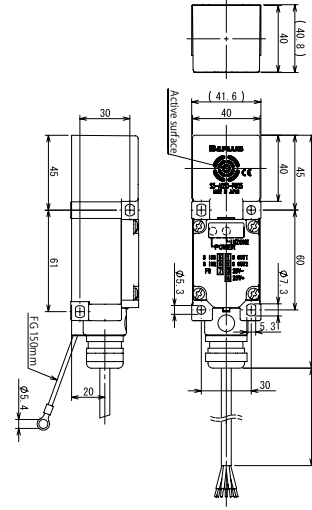
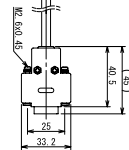


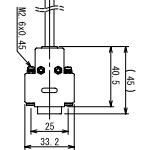
Size	40 x 40 x 140	40 x 40 x 140
Case material	ABS	ABS
Weight	Body 250g + Cable 70g/m	Body 250g + Cable 70g/m



S3-A020-PU_D



S3-A030-PU_D



Type code	Cable type	Cable type with D-sub connector	S3-A020-PU_ _	S3-A020-PU_D	S3-A030-PU_ _	S3-A030-PU_D
Mounting on steel			Metal mountable, metal non-flush mount (see page 36)		Metal mountable, metal non-flush mount (see page 36)	
Operating temperature			0...+70°C		0...+70°C	
Storage temperature			-20...+85°C		-20...+85°C	
Protection class			IP67		IP67	
Cable	Specification		PUR / φ 6, 6 x 0.25mm ²		PUR / φ 6, 6 x 0.25mm ²	
	Cable length		5m, 10m, 20m, 30m, 40m, 50m		5m, 10m, 20m, 30m, 40m, 50m	

Applicable Data carrier

Mouting	S1-D011-8K				S1-D011-8K			
	Metal mounting	Non metal mounting			Metal mounting	Non metal mounting		
Write distance (mm)	5 ~ 20	5 ~ 20			5 ~ 20	5 ~ 20		
Read distance(mm)	5 ~ 20	5 ~ 20			5 ~ 20	5 ~ 20		
Center communication offset (mm)	0mm	-			-	-		
	5mm	± 5			± 5	± 5		
	10mm	± 5			± 5	± 5		
	15mm	± 5			± 5	± 5		
	20mm	± 5			± 5	± 5		
	30mm	-			-	-		
	40mm	-			-	-		
	50mm	-			-	-		

S3-A020-PU_、 S3-A020-PU_D及び、 S3-A030-PU_、 S3-A030-PU_D comply with the Radio Law domestic in Japan.

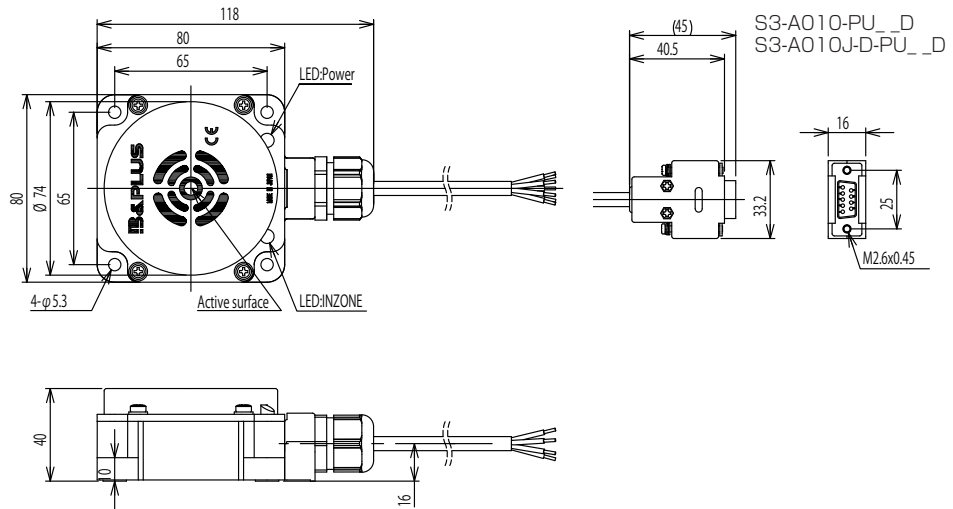
Please specify the type number according to the following point in case of order.

Exmple) In the case of Read/Write head S3-A020-PU_ at 5 meters cable length,

S3-A020-PU05

Cable length _____

Size	80 x 118 x 40
Case material	PBT + ABS
Weight	Body 400g + Cable 70g/m



Type code	Cable type Cable type with D-sub connector	S3-A010-PU_ _ S3-A010-PU_ _D	S3-A010J-PU_ _ S3-A010J-PU_ _D
Mounting on steel		Metal mountable, metal non-flush mount (see page 36)	Metal mountable, metal non-flush mount (see page 36)
Operating temperature		0...+50°C	0...+50°C
Storage temperature		-20...+85°C	-20...+85°C
Protection class		IP67	IP67
Cable	Specification Cable length	PUR / ϕ 6, 6 x 0.25mm ² 5m, 10m, 20m, 30m, 40m, 50m	PUR / ϕ 6, 6 x 0.25mm ² 5m, 10m, 20m, 30m, 40m, 50m

Applicable Data carrier		S1-D011-8K		S1-D021-8K		S1-D021-8K			
Mouting		Metal mounting	Non metal mounting	Metal mounting	Non metal mounting	Metal mounting	Non metal mounting		
Write distance (mm)		5 ~ 30	5 ~ 30	10 ~ 50	10 ~ 50	10 ~ 45	10 ~ 45		
Read distance (mm)		5 ~ 30	5 ~ 30	10 ~ 50	10 ~ 50	10 ~ 45	10 ~ 45		
Center offset (mm)	communication distance 0mm	-	-	-	-	-	-		
	5mm	±5	±5	-	-	-	-		
	10mm	±5	±5	±5	±5	±5	±5		
	15mm	±5	±5	±5	±5	±5	±5		
	20mm	±5	±5	±5	±5	±5	±5		
	30mm	±5	±5	±5	±5	±5	±5		
	40mm	-	-	±5	±5	±5	±5		
	50mm	-	-	±5	±5	-	-		

S3-A010-PU_、 S3-A010-PU_ _D are not used use in Japan.
S3-A010J-PU_、 S3-A010J-PU_ _D comply with the Radio Law domestic in Japan.

S series

Product list

Product configuration

Data carrier

Read/Write head

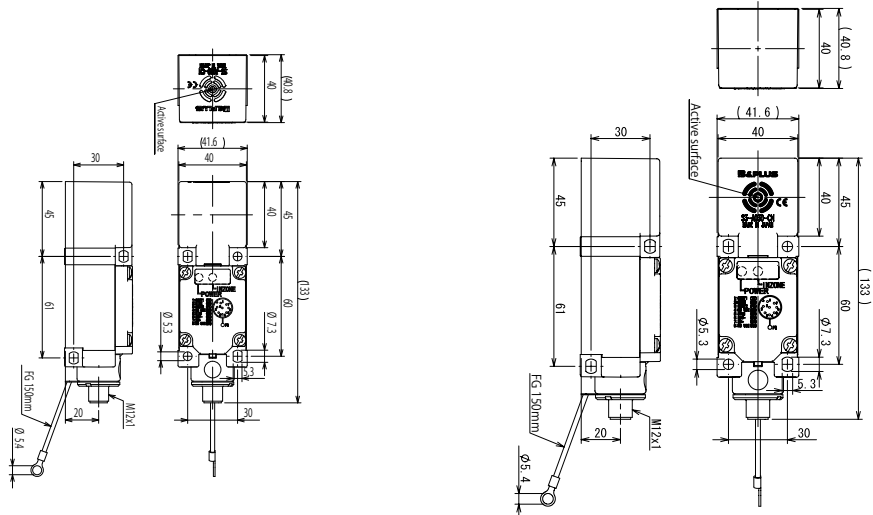
Processor

PC unit

Accessories

Surrounding metal / Mutual interference

Size	40 x 40 x 133	40 x 40 x 133
Case material	ABS	ABS
Weight	250g	250g



Type code	Connector type	S3-A020-CN	S3-A030-CN
Mounting on steel		Metal mountable, metal non-flush mount (see page 36)	Metal mountable, metal non-flush mount (see page 36)
Operating temperature		0...+70°C	0...+70°C
Storage temperature		-20...+85°C	-20...+85°C
Protection class		IP67	IP67
Applicable Read/write head	Straight	S7-A001-PU_ / S7-A003-PU_	S7-A001-PU_ / S7-A003-PU_
	Angle	S7-A002-PU_ / S7-A004-PU_	S7-A002-PU_ / S7-A004-PU_

Applicable Data carrier	S1-D011-8K				S1-D011-8K			
	Metal mounting	Non metal mounting			Metal mounting	Non metal mounting		
Mouting								
Write distance (mm)	5 ~ 20	5 ~ 20			5 ~ 20	5 ~ 20		
Read distance (mm)	5 ~ 20	5 ~ 20			5 ~ 20	5 ~ 20		
Center offset (mm)	0mm	-			-	-		
	5mm	± 5			± 5	± 5		
	10mm	± 5			± 5	± 5		
	15mm	± 5			± 5	± 5		
	20mm	± 5			± 5	± 5		
	30mm	-			-	-		
	40mm	-			-	-		
	50mm	-			-	-		

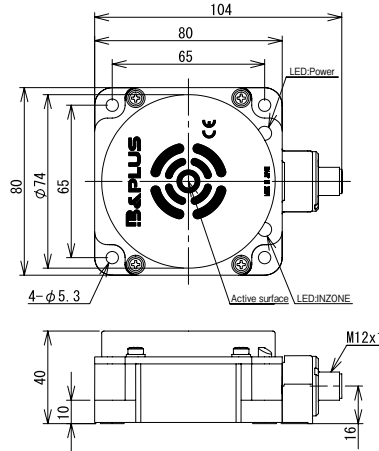
S3-A020-CN, S3-A030-CN comply with the Radio Law domestic in Japan.

Please specify the type number according to the following point in case of order

Exmple) In the case of Reader S3-A020-CN with Antenna cable S7-A001-PU_ at 5 meters cable length,

Read/Write head S3-A020-CN
 Antenna cable S7-A001-PU05
 Length of Antenna cable _____

Size	80 x 104 x 40
Case material	PBT + ABS
Weight	400g



Type code	Connector type	S3-A010-CN	S3-A010J-CN
Mounting on steel		Metal mountable, metal non-flush mount (see page 36)	Metal mountable, metal non-flush mount (see page 36)
Operating temperature		0...+50°C	0...+50°C
Storage temperature		-20...+85°C	-20...+85°C
Protection class		IP67	IP67
Applicable Read/write head	Straight	S7-A001-PU_ _ / S7-A003-PU_ _	S7-A001-PU_ _ / S7-A003-PU_ _
	Angle	S7-A002-PU_ _ / S7-A004-PU_ _	S7-A002-PU_ _ / S7-A004-PU_ _
Applicable Data carrier		S1-D011-8K	S1-D021-8K
Mouting		Metal mounting	Non metal mounting
Write distance (mm)		5 ~ 30	5 ~ 30
Read distance (mm)		5 ~ 30	5 ~ 30
Center offset (mm)	communication distance	-	-
	0mm	± 5	± 5
	5mm	± 5	± 5
	10mm	± 5	± 5
	15mm	± 5	± 5
	20mm	± 5	± 5
	30mm	± 5	± 5
	40mm	-	± 5
	50mm	-	± 5

S3-A010-CN does not used in Japan
S3-A010-CN complies with the Radio Law domestic in Japan.

S series

Product list

Product configuration

Data carrier

Read/Write head

Processor

PC unit

Accessories

Surrounding metal / Mutual interference