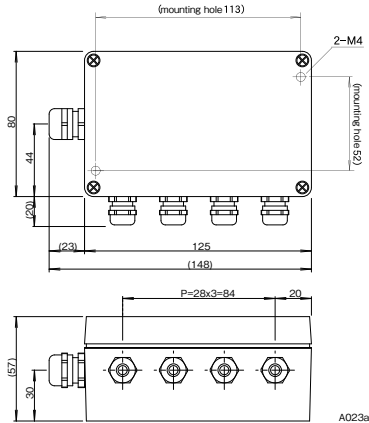


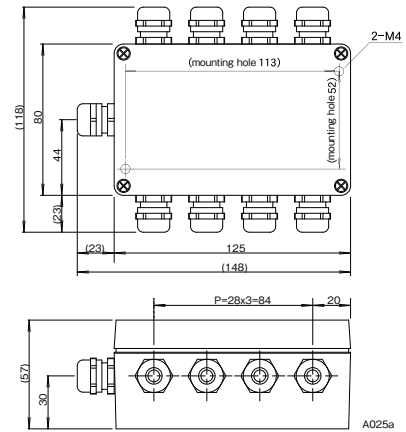
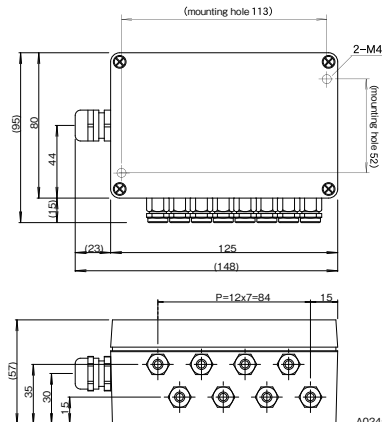
Terminal Box/Standard type for DC 3-wire and DC 2-wire Detector type

Number of Detector	4 Detectors
--------------------	-------------



Type Code	RPK-2102
Material	Housing: Aluminum die casting Gascket: Neoprene rubber
Protection class	IP65
Weight	600 g
Terminal block	for Transmitter 6 pole x 2, for Detector 8 pole x 3
Cable gland	Transmitter: PG9 x 1 Detector: PG7 x 4 (Applicable cable outer diameter Ø2...6.5mm)
Changeover switch	SW1: Changeover NPN/PNP SW2: Changeover 3-wire/2-wire
Mounting	M4 allen screw x 2

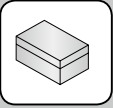
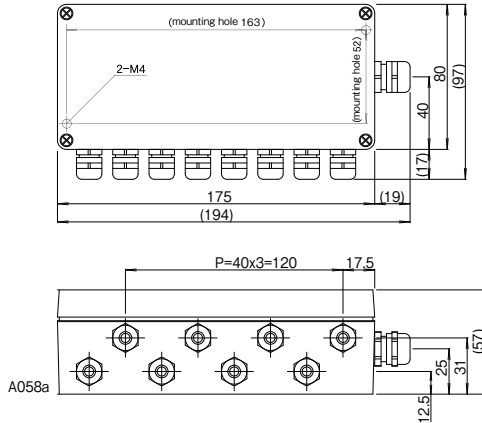
Number of Detector	8 Detectors	8 Detectors
--------------------	-------------	-------------



Type Code	RPK-2101	RPK-2103
Material	Housing: Aluminum die casting Gascket: Neoprene rubber	Aluminum die casting Neoprene rubber
Protection class	IP65	IP65
Weight	600 g	600 g
Terminal block	for Transmitter 6 pole x 2, for Detector 8 pole x 3	for Transmitter 6 pole x 2, for Detector 8 pole x 3
Cable gland	Transmitter: PG9 x 1, Detector: M8 x 8 (Applicable cable outer diameter Ø3...5.5mm)	PG9 x 1 PG9 x 8 (Applicable cable outer diameter Ø4...8mm)
Changeover switch	SW1: Changeover NPN/PNP SW2: Changeover 3-wire/2-wire	Changeover NPN/PNP Changeover 3-wire/2-wire
Mounting	M4 allen screw x 2	M4 allen screw x 2

Terminal Box/Standard type for DC 2-wire and Exclusive Detector type

Number of Detector	8 Detectors
--------------------	-------------



Type Code	RFK-3101
Material	Housing: Aluminum die casting Gascket: Neoprene rubber
Protection class	IP65
Weight	800 g
Terminal block	for Transmitter 12 pole x 1, for Detector 12 pole x 1
Cable gland	Transmitter: PG9 x 1 Detector: PG7 x 8 (Applicable cable outer diameter Ø2...6.5mm)
Changeover switch	SW1: --- SW2: ---
Mounting	M4 allen screw x 2

Accessory

Exclusive sensor

Terminal Box

- These products are the terminal box for connecting Transmitter and Detector.
- The blank plugs are supplied with the terminal box to seal unused cable entries.
- Before use, please read the instructions in user's guide attached to products.

Terminal Box/Waterproof type for DC 3-wire and DC 2-wire Detector type

Number of Detector	8 Detectors	8 Detectors
	A026-e	A027-e

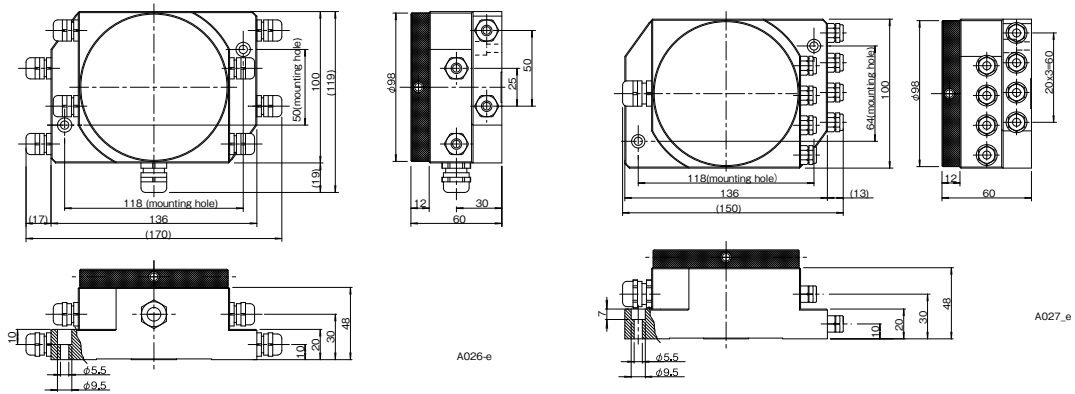
Type Code	RPK-A098-02	RPK-A098-03
Material Housing	Aluminum casting/Machined aluminum	Aluminum casting/Machined aluminum
Gasquet	Viton	Viton
Protection class	IP67	IP67
Weight	1,200 g	1,200 g
Terminal block	for Transmitter 12 pole x 1, for Detector 12 pole x 2	for Transmitter 12 pole x 1, for Detector 12 pole x 2
Cable gland Transmitter	PG9 x 1	PG9 x 1
gland Detector	PG7 x 8 (Applicable cable outer diameter Ø4...6.5mm)	M8 x 8 (Applicable cable outer diameter Ø3...5mm)
Changeover switch SW1	Changeover NPN/PNP	Changeover NPN/PNP
SW2	Changeover 3-wire/2-wire	Changeover 3-wire/2-wire
Mounting	M5 allen screw x 2	M5 allen screw x 2

Number of Detector	8 Detectors	15 Detectors
	A028	A029

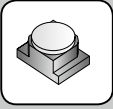
Type Code	RPK-B148-02	RPK-B148-03
Material Housing	Aluminum casting/Machined aluminum	Aluminum casting/Machined aluminum
Gasquet	Viton	Viton
Protection class	IP67	IP67
Weight	1,800 g	1,800 g
Terminal block	for Transmitter 6 pole x 2, for Detector 8 pole x 3	for Transmitter 18 pole x 1, for Detector 15 pole x 2
Cable gland Transmitter	PG9 x 1	PG9 x 1
gland Detector	PG7 x 8 (Applicable cable outer diameter Ø4...6.5mm)	PG7 x 16 (Applicable cable outer diameter Ø4...6.5mm)
Changeover switch SW1	Changeover NPN/PNP	- - -
SW2	Changeover 3-wire/2-wire	- - -
Mounting	M5 allen screw x 2	M5 allen screw x 2

Terminal Box/Waterproof type for DC 2-wire and Exclusive Detector type

Number of Detector	8 Detectors	8 Detectors
--------------------	-------------	-------------



Type Code	RFK-A098-02	RFK-A098-03
Material Housing	Aluminum casting/Machined aluminum	Aluminum casting/Machined aluminum
Gasquet	Viton	Viton
Protection class	IP67	IP67
Weight	1,200 g	1,200 g
Terminal block	for Transmitter 12 pole x 1, for Detector 12 pole x 1	for Transmitter 12 pole x 1, for Detector 12 pole x 1
Cable gland	Transmitter PG9 x 1 Detector PG7 x 8 (Applicable cable outer diameter Ø4...6.5mm)	PG9 x 1 M8 x 8 (Applicable cable outer diameter Ø3...5mm)
Changeover switch	SW1 --- SW2 ---	--- ---
Mounting	M5 allen screw x 2	M5 allen screw x 2



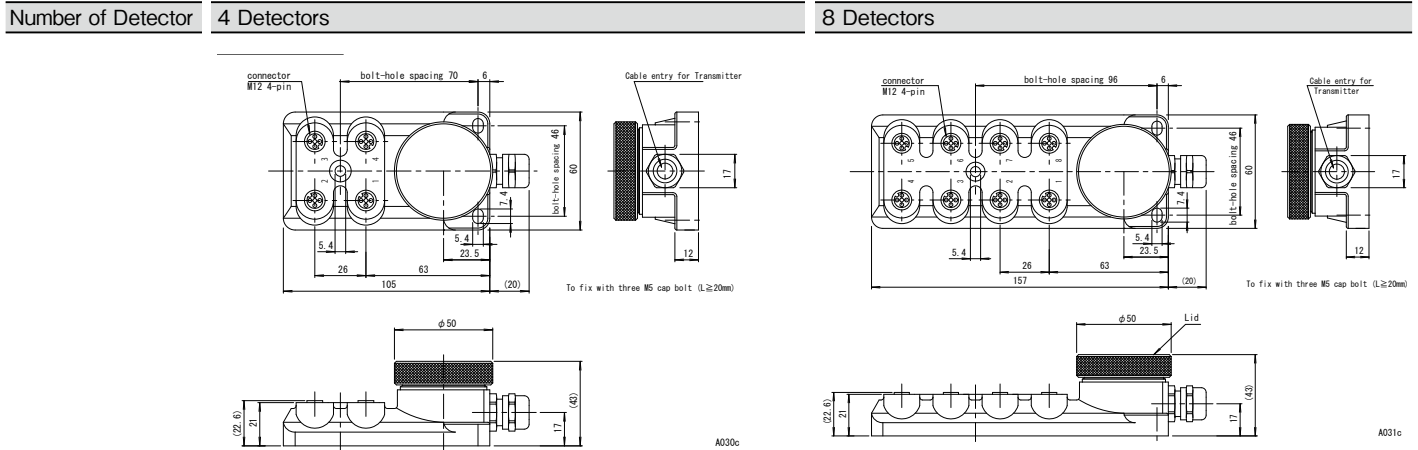
Accessory

Exclusive sensor

Terminal Box

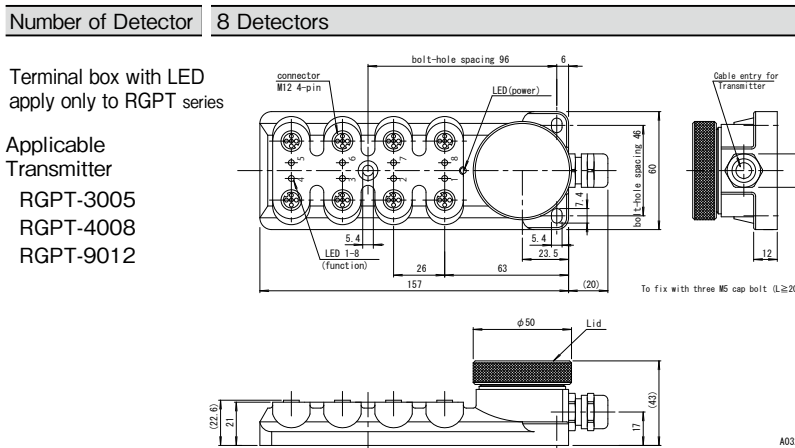
- These products are the terminal box for connecting Transmitter and Detector.
- The blank plugs are supplied with the terminal box to seal unused cable entries.
- Before use, please read the instructions in user's guide attached to products.

Terminal Box/Connector type for DC 3-wire and DC 2-wire Detector type



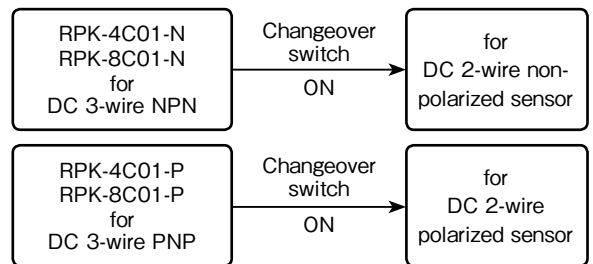
Type	DC3-wire/NPN	RPK-4C01-N
Code	DC3-wire/PNP	RPK-4C01-P
LED	- - -	- - -
Material	Housing	Aluminum casting
	Cap	Machined aluminum
	Gascket	Viton
Protection class		IP67
Weight		300 g
Connection	Transmitter	7 pole screwless terminal block
	Detector	4 pole connector (M12 x 4)
Cable gland	Transmitter	PG9 x 1
Changeover switch		4-pole DIP switch for changeover of 2-wire and 3-wire detector
Mounting		M5 allen screw x 3

Type	DC3-wire/NPN	RPK-8C01-N
Code	DC3-wire/PNP	RPK-8C01-P
LED	- - -	- - -
Material	Housing	Aluminum casting
	Cap	Machined aluminum
	Gascket	Viton
Protection class		IP67
Weight		500 g
Connection	Transmitter	12 pole screwless terminal block
	Detector	4 pole connector (M12 x 8)
Cable gland	Transmitter	PG9 x 1
Changeover switch		8 pole DIP switch for changeover of 2-wire and 3-wire detector
Mounting		M5 allen screw x 3



Using DC 2-wire sensors

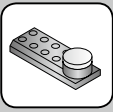
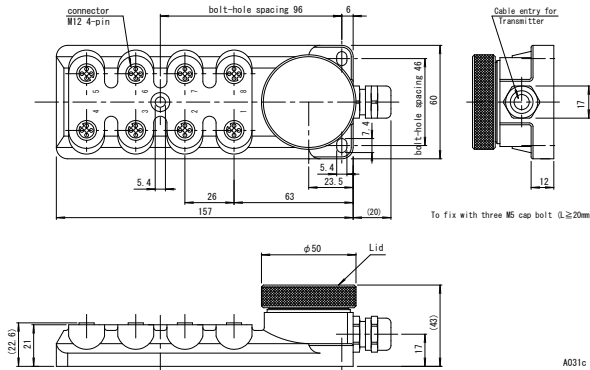
- DC 2-wire sensor can be used with RPK-4C01- N/P and RPK-8C01- N/P by switching the 3-wire/2-wire changeover switch.



Type	DC3-wire/NPN	RPK-8C01L-N
Code	DC3-wire/PNP	RPK-8C01L-P
LED		Function indication/Power
Material	Housing	Aluminum casting
	Cap	Machined aluminum
	Gascket	Viton
Protection class		IP67
Weight		500 g
Connection	Transmitter	11 pole screwless terminal block
	Detector	4 pole connector (M12 x 8)
Cable gland		PG9 x 1 for Transmitter
Changeover switch		Only for DC 3-wire sensors
Mounting		M5 allen screw x 3

Terminal Box/Connector type for Exclusive proximity sensor type

Number of Detector	8 Detectors
--------------------	-------------



Type Code	RXD	RFK-8C01
LED		- - -
Material	Housing	Aluminum casting
	Cap	Machined aluminum
	Gascket	Viton
Protection class		IP67
Weight		500 g
Connection	Transmitter	12 pole screwless terminal block
	Detector	4 pole connector (M12 x 8)
Cable gland	Transmitter	PG9 x 1
Changeover switch		Exclusive proximity sensor RXD only
Mounting		M5 allen screw x 3

Accessory

Exclusive sensor

Terminal Box

- These products are the terminal box for connectiong Transmitter and Detector.
- The blank caps are supplied with the terminal box to seal unused connectors.
- Before use, please read the instructions in user's guide attached to products.