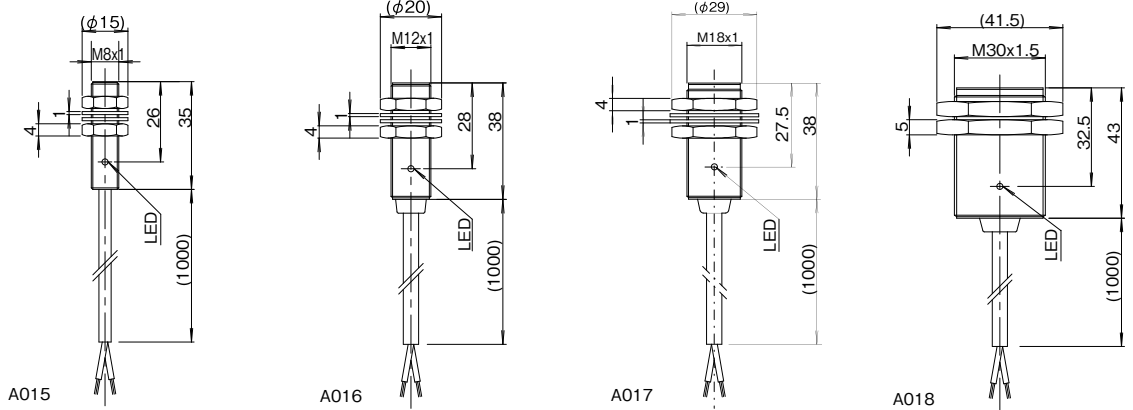
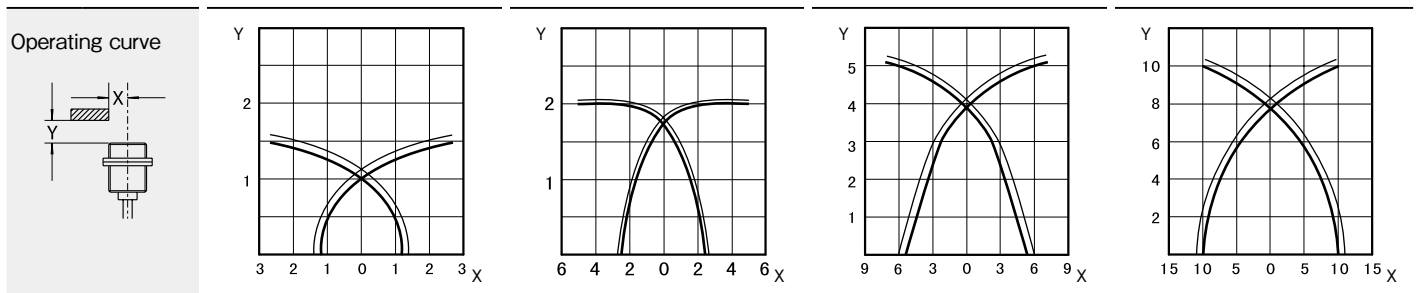


Exclusive proximity sensor with LED / RFD series

Applicable Transmitter	Transmitter of DC 2-wire detector type (Ref. P.46...63)			
Rated operating distance	1.5mm	2mm	5mm	10mm
Assured operating distance	0...1.2mm	0...1.6mm	0...4mm	0...8mm
Size	M8	M12	M18	M30



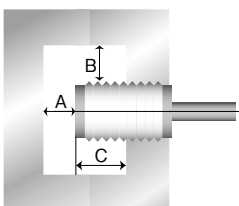
Type Code	RFD-0801-PU-01	RFD-1202-PU-01	RFD-1805-PU-01	RFD-3010-PU-01
Transmitter type	RPT_-xxxxD	RPT_-xxxxD RS_T-2xxD-S04	RPT_-xxxxD RS_T-2xxD-S04	RPT_-xxxxD RS_T-2xxD-S04
Frequency of operation	30Hz	30Hz	30Hz	30Hz
LED	Function indication	Function indication	Function indication	Function indication
Operating temperature	0...+50°C	0...+50°C	0...+50°C	0...+50°C
Protection class	IP67	IP67	IP67	IP67
Material Housing	Stainless steel	Nickel plated brass	Nickel plated brass	Nickel plated brass
Active face	Nylon12	Nylon12	Nylon12	Nylon12
Cable	PUR / Ø3.3, 2x0.14mm ²	PUR / Ø5, 2x0.34mm ²	PUR / Ø5, 2x0.34mm ²	PUR / Ø5, 2x0.34mm ²
Weight	25 g +15 g x 1 m	30 g +25 g x 1 m	50 g +25 g x 1 m	110 g +25 g x 1 m
Pre-wired connector type	---	RFD-1202-PU-CP1.0	RFD-1805-PU-CP1.0	RFD-3010-PU-CP1.0



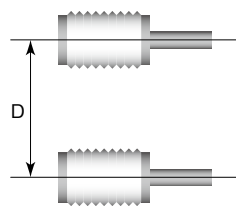
Installation notes

In order to avoid influence of surrounding metal, or to avoid mutual influence between parallel-mounted sensors, keep the minimum distances as described below.

Surrounding metal



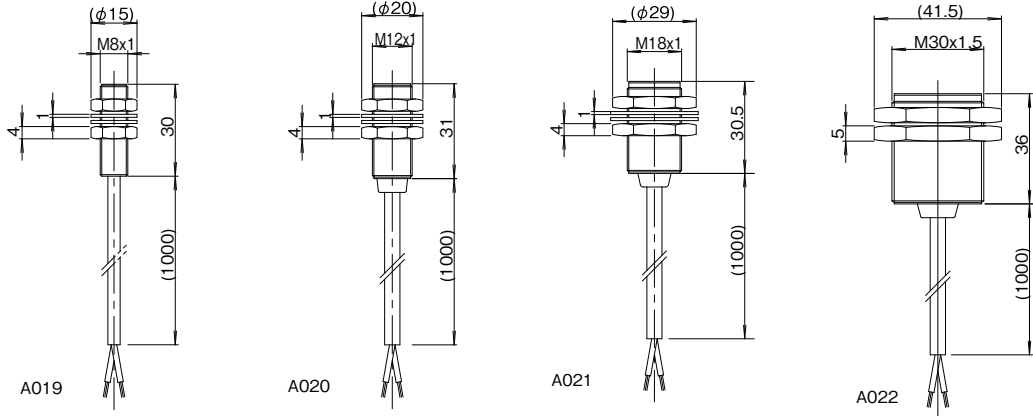
Parallel installation



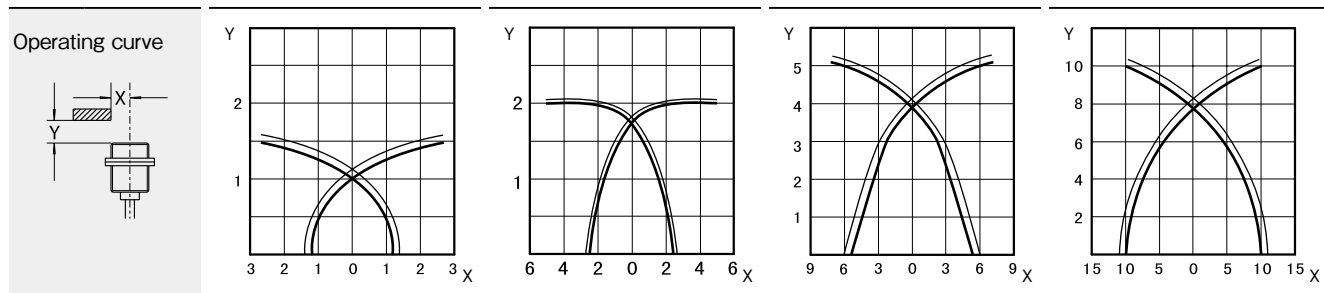
RFD (with LED)	RXD (without LED)	A(mm)	B(mm)	C(mm)	D(mm)
RFD-0801-PU	RXD-0801-PU	5	4	0	15
RFD-1202-PU	RXD-1202-PU	8	6	0	20
RFD-1805-PU	RXD-1805-PU	20	9	0	35
RFD-3010-PU	RXD-3010-PU	40	15	0	70

Exclusive proximity sensor without LED / RXD series

Applicable Transmitter	Transmitter of Exclusive detector type (Ref. P.64...67)			
Rated operating distance	1.5mm	2mm	5mm	10mm
Assured operating distance	0...1.2mm	0...1.6mm	0...4mm	0...8mm
Size	M8	M12	M18	M30



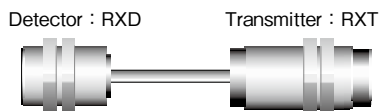
Type Code	RXD-0801-PU-01	RXD-1202-PU-01	RXD-1805-PU-01	RXD-3010-PU-01
Transmitter type	RXT-xxxx RXT8-xxxx	RXT-xxxx RXT8-xxxx	RXT-xxxx RXT8-xxxx	RXT-xxxx RXT8-xxxx
Frequency of operation	25Hz	25Hz	25Hz	25Hz
LED	no	no	no	no
Operating temperature	0...+50°C	0...+50°C	0...+50°C	0...+50°C
Protection class	IP67	IP67	IP67	IP67
Material Housing	Stainless steel	Nickel plated brass	Nickel plated brass	Nickel plated brass
Active face	Nylon12	Nylon12	Nylon12	Nylon12
Cable	PUR / Ø3.3, 2x0.14mm ²	PUR / Ø5, 2x0.34mm ²	PUR / Ø5, 2x0.34mm ²	PUR / Ø5, 2x0.34mm ²
Weight	15 g +15 g x 1 m	15 g +25 g x 1 m	35 g +25 g x 1 m	90 g +25 g x 1 m
Pre-wired connector type	---	RXD-1202-PU-CP1.0	RXD-1805-PU-CP1.0	RXD-3010-PU-CP1.0



See P.102 for installation notes.

Detector/Transmitter cable molded type

An exclusive sensor RXD and a transmitter RXT can be supplied as a product which is pre-wired by one cable.



Specify size and cable length of Detector and Transmitter to order.

RXD18 / RXT12 - PU-1.0

Size of Detector	Size of Transmitter	cable length
08 = M8	12 = M12	0.5 = 50cm
12 = M12	18 = M18	1.0 = 1m (standard)
18 = M18		1.5 = 1.5m
30 = M30		2.0 = 2m

Accessory

Exclusive sensor

Terminal box
Other unit