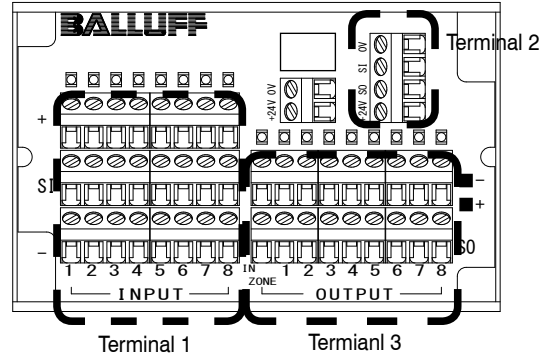


Remote Coupler System

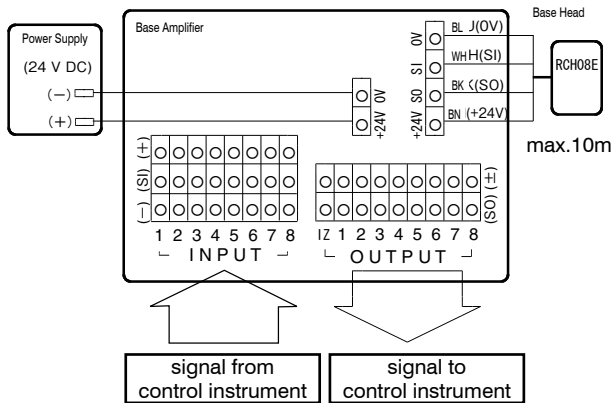
C020 Bi-directional switch signal transmission : 8 + 8

Head RCH08 -211
 Remote amplifier RC08T-011_-000
 Base amplifier RC08E-011_-000

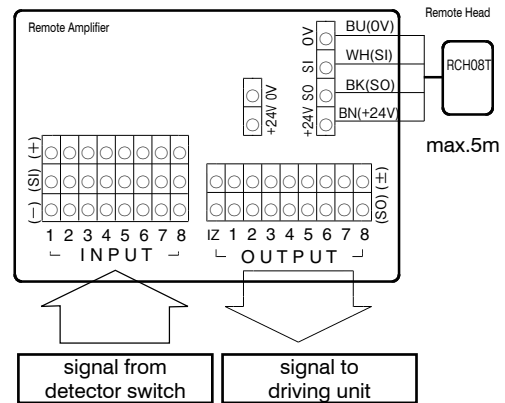


Wiring

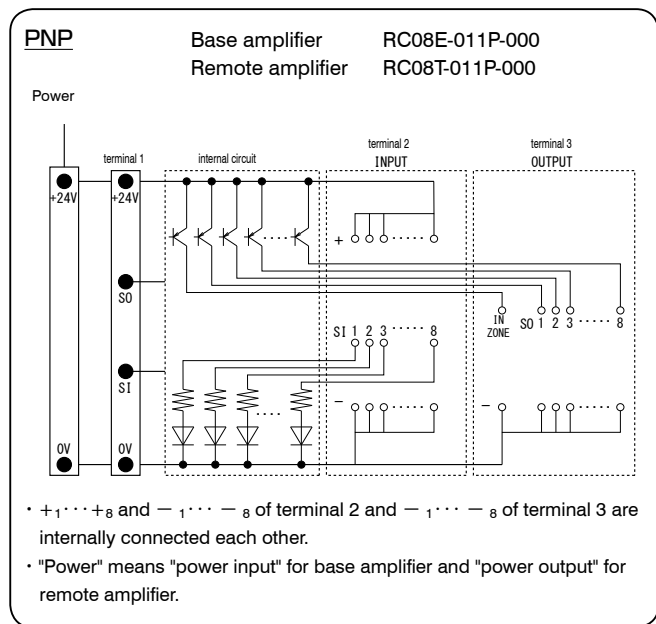
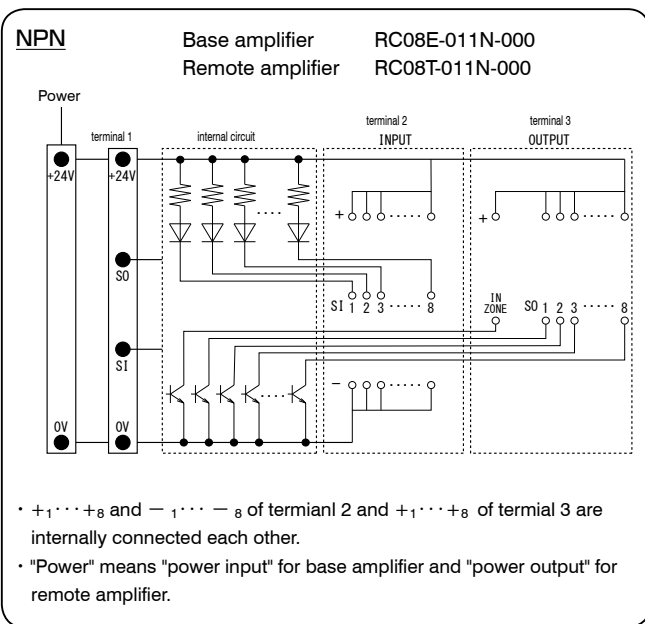
Base amplifier RC08E-011_-000



Remote amplifier RC08T-011_-000

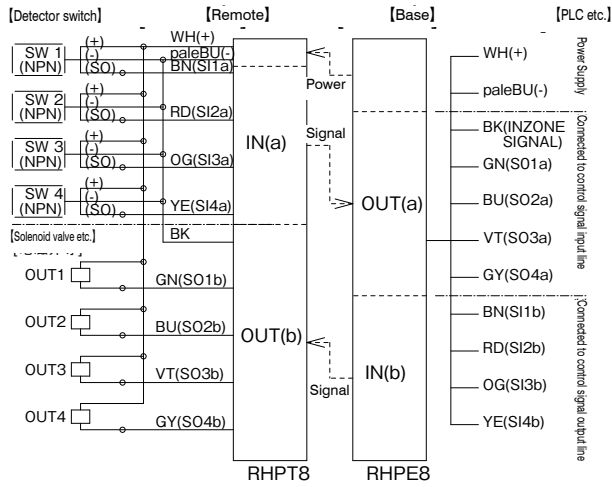


Internal circuit

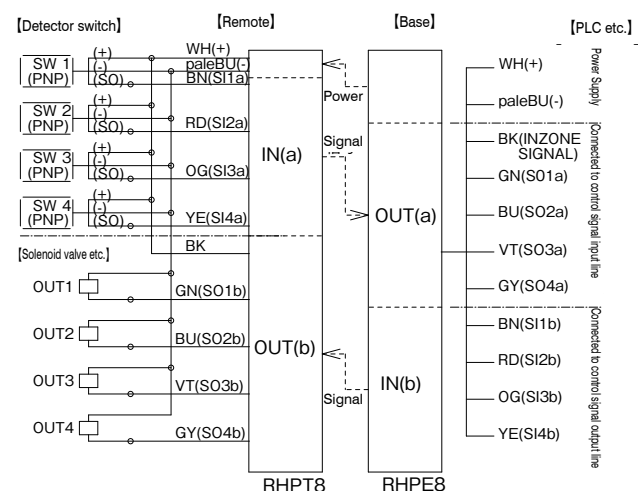


C019 Bi-directional Switch Signal Transmission : 4+4
RHPT8-8010_ / RHPE8-8010_

NPN

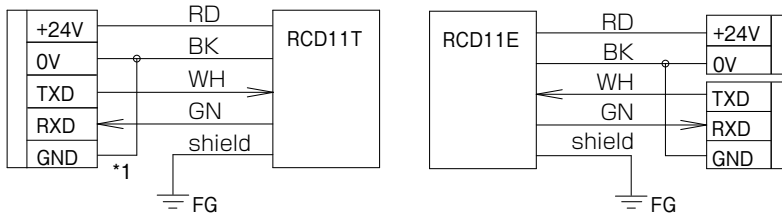


PNP



C021 RS-232C type:1 signal transmission

RCD11T-211 / RCD11E-211

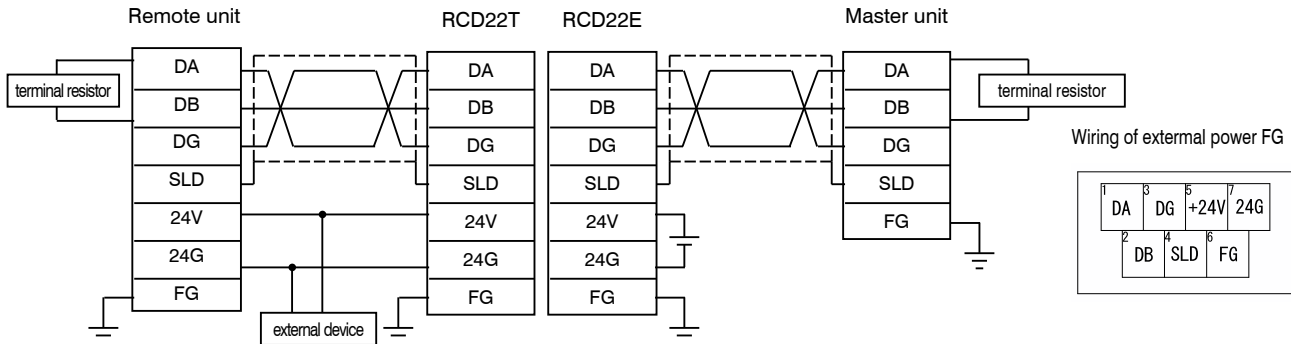


*1: this wiring is necessary if;
-0V and GND of RS-232 are not connected inside.
-the unit does not need power supply from RCD11T.

C022 CC-Link type:1 signal transmission

RCD22T-922 / RCD22E-922

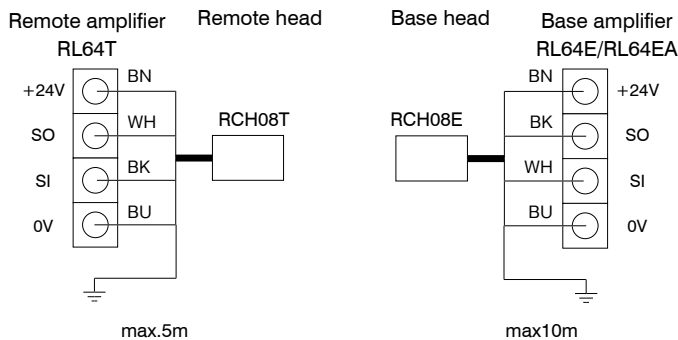
master unit - remote unit



Remote Link System

C023 Remote Link System

RCH08T-211 / RCH08E-211



Base Amplifier : RL64E-311 □ -000, RL64EA-355DN-000
Remote Amplifier : RL64T-344 □ -000, RL64T-345 □ -000
Input Unit : RLX08-322 □, Output Unit : RLY04-322 □
Refer to the attached Users' guide.