

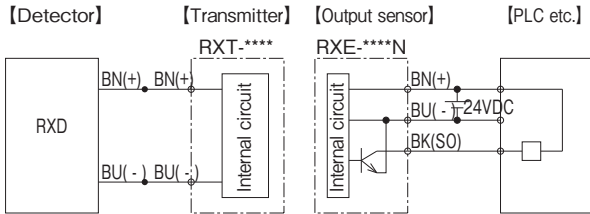
# Remote Sensor System

## Exclusive Proximity sensor type

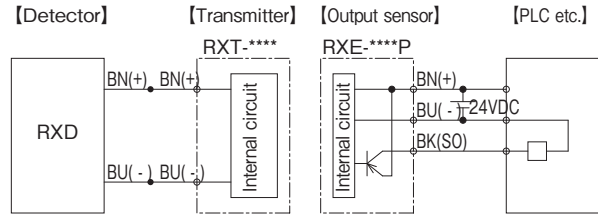
### C012 Exclusive sensor type No. of signal : 1

RST-1202-PU / RXE-1202\_  
 RXT-1202-PU / RXE-1202\_  
 RXT-1805-PU / RXE-1805\_

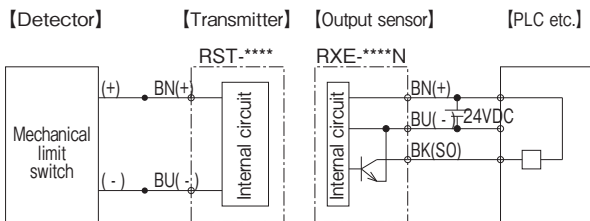
#### Exclusive proximity sensor RXD (NPN)



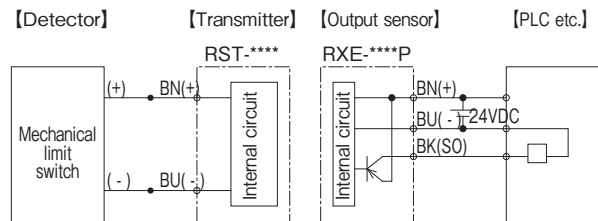
#### Exclusive proximity sensor RXD (PNP)



#### Mechanical limit switch (NPN)



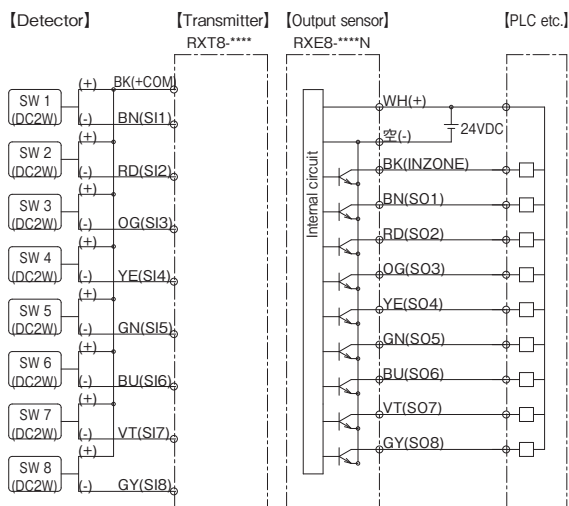
#### Mechanical limit switch (PNP)



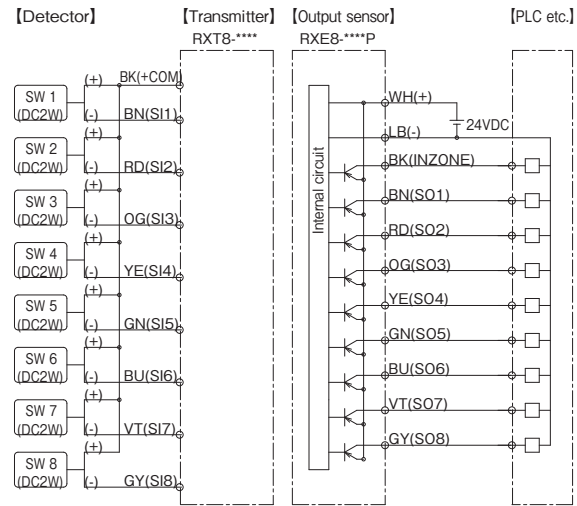
### C027 Exclusive sensor type No. of signal : 8

RXT8-1805 / RXE8-1800\_  
 RXT8-3010 / RXE8-3000\_

#### NPN type



#### PNP type



-Please refer to the instruction of User's guide supplied with the products for installation and operation.

-Please note that the cable length of an output sensor may not longer than 10m. The CE marking verifies that our products comply with the requirements of EMC directive. The surge test to an output sensor is not carried out. If the cable length of the output section will be used in the wiring of more than 10m, Please take care that the surge of excess is not applied.

Remote Sensor

Remote Coupler

Remote Power Supply

Wiring

Discontinued plans

Index