

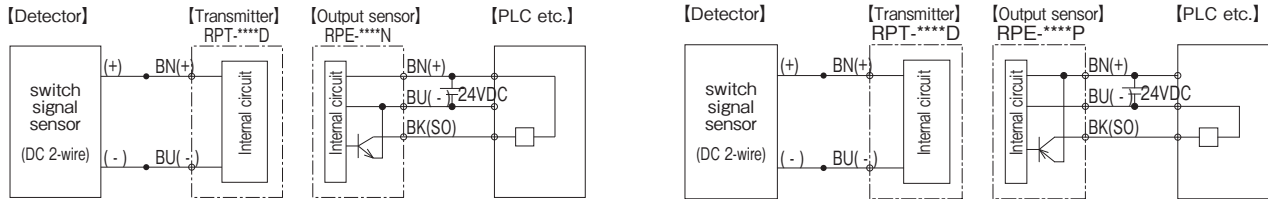
# Remote Sensor System

## Switch Signal / DC 2-wire Detector type

### C006 DC 2-wire Detector type No. of signal : 1

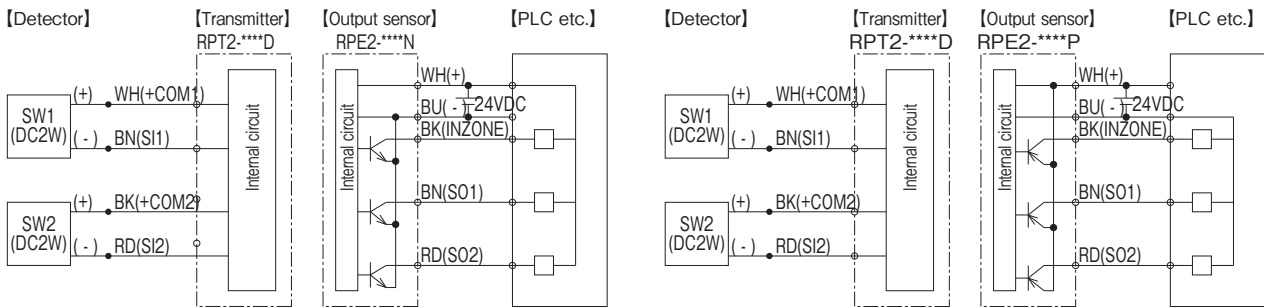
RPT-1202D / RPE-1202\_  
 RPT-1804D / RPE-1804\_  
 RPT-3008D / RPE-3008\_  
 RPT-F0D / RPE-F0\_

■ NPN



### C007 DC 2-wire Detector type No. of signal : 2

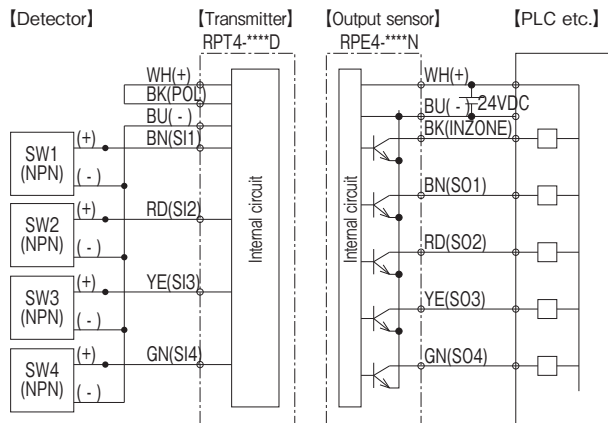
RPT2-1804D-PU / RPE2-1804\_  
 RPT2-3005D-PU / RPE2-3005\_



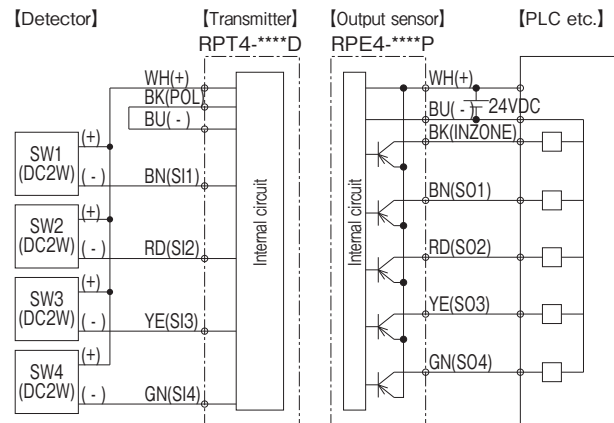
### C008 DC 2-wire Detector type No. of signal : 4

RPT4-1803D / RPE4-1803\_  
 RPT4-3005D / RPE4-3005\_

■ NPN



■ PNP



RPT4-xxxxD can be connected with both of "+common" and "-common".

-Please refer to the instruction of User's guide supplied with the products for installation and operation.

-Please note that the cable length of an output sensor may not longer than 10m. The CE marking verifies that our products comply with the requirements of EMC directive. The surge test to an output sensor is not carried out. If the cable length of the output section will be used in the wiring of more than 10m, Please take care that the surge of excess is not applied.

Remote Sensor

Remote Coupler

Remote Power Supply

Wiring

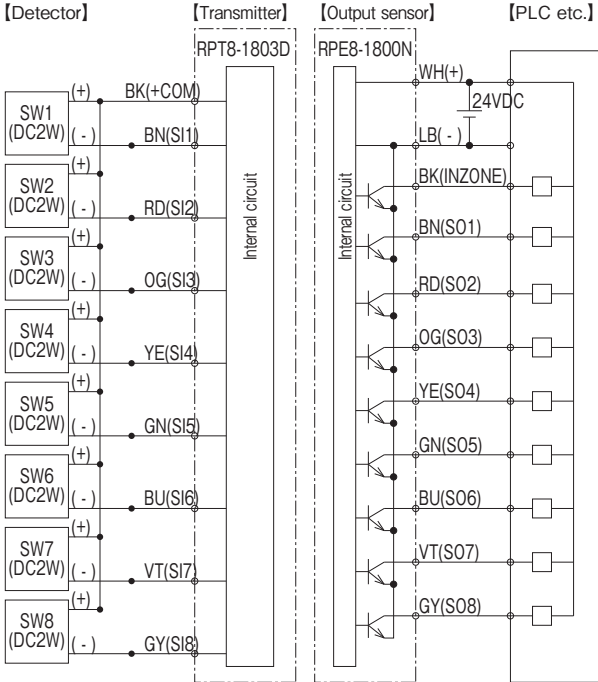
Discontinued plans

Index

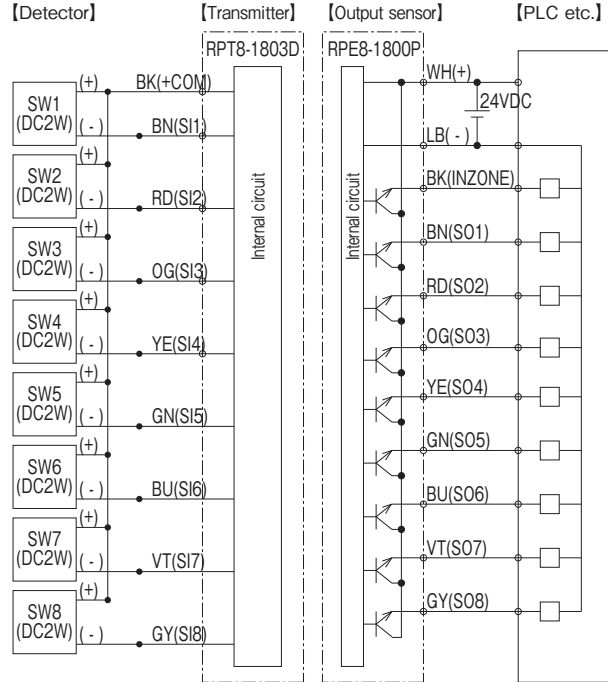
**C009** DC 2-wire Detector type No. of signal : 8

RPT8-1803D / RPE8-1800\_  
RS08TA-018D / RS08EA-018\_  
RS08TA-030D / RS08EA-030\_

**■ NPN**



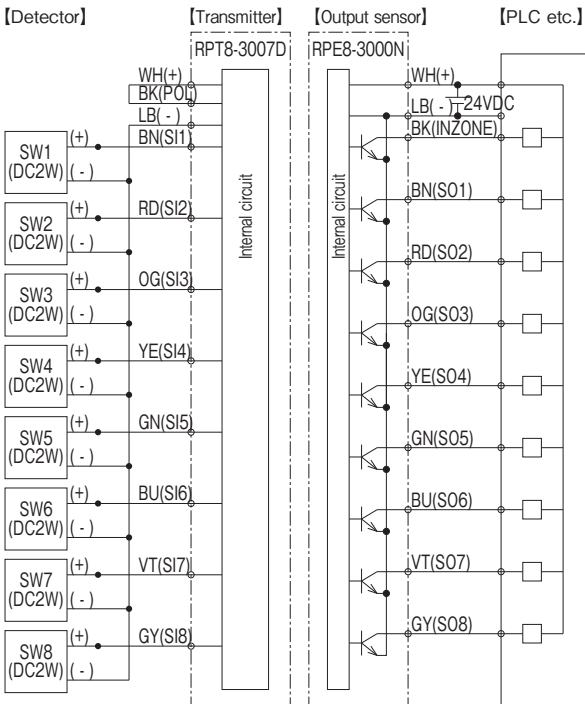
**■ PNP**



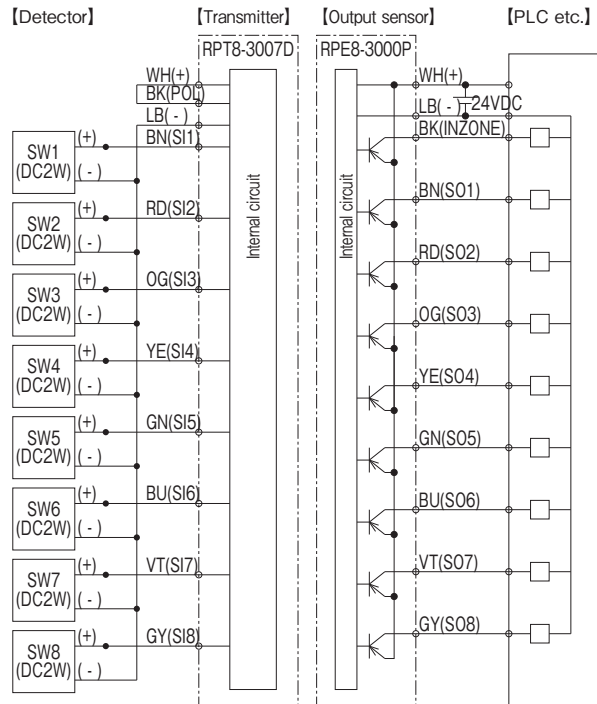
**C010** DC 2-wire Detector type No. of signal : 8

RPT8-3007D / RPE8-3000\_

**■ NPN**



**■ PNP**



RPT8-3007D is - common.  
Please contact us for + common type.

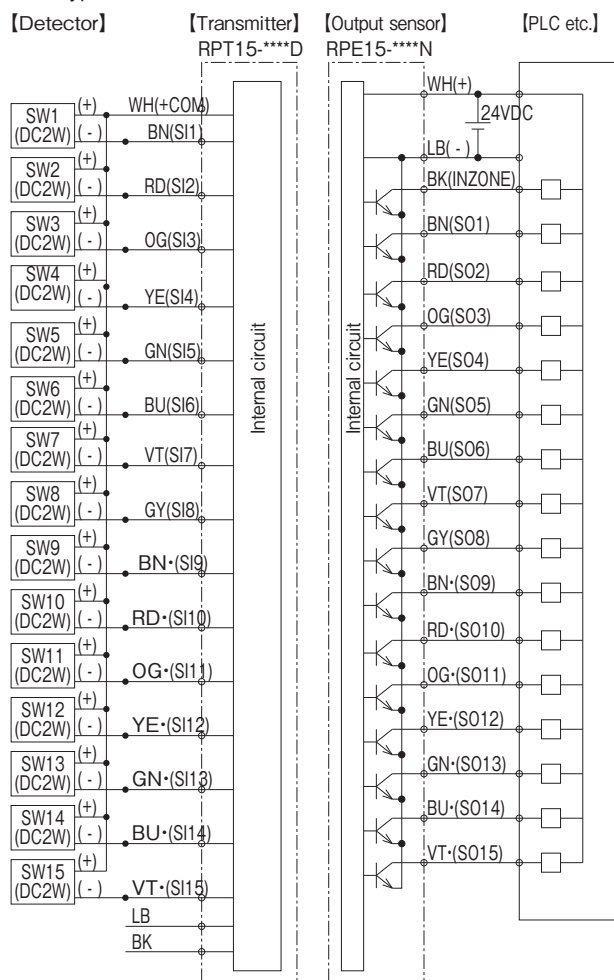
# Remote Sensor System

## Switch Signal / DC 2-wire Detector type

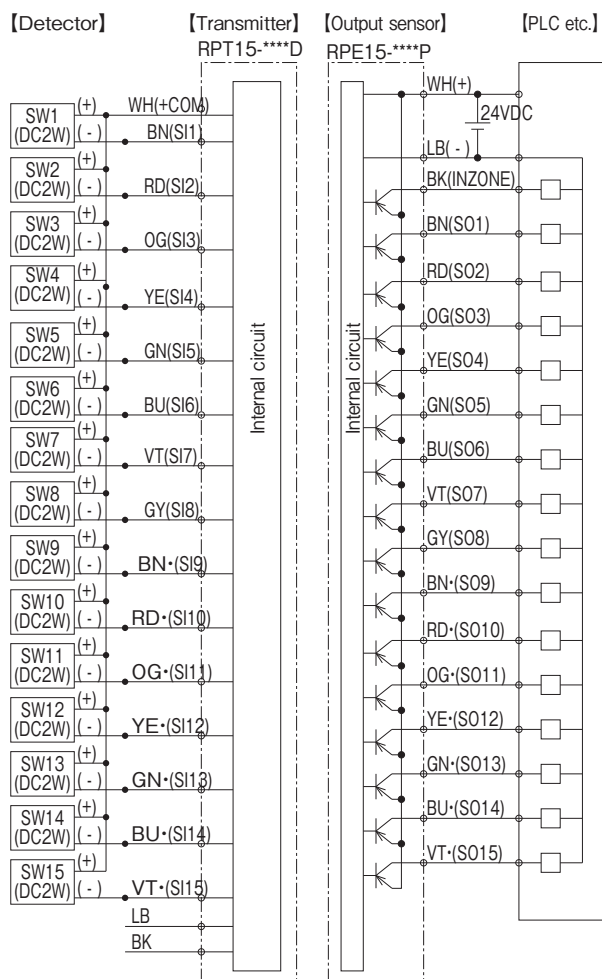
**C011** DC 2-wire Detector type No. of signal : 15

RPT15-3005D / RPE15-3000\_

■ NPN type



■ PNP type



-As "not connected" because you do not need to use the black cable and pale blue, do not come into contact with other wires.

Remote Sensor

Remote Coupler

Remote Power Supply

Wiring

Discontinued plans

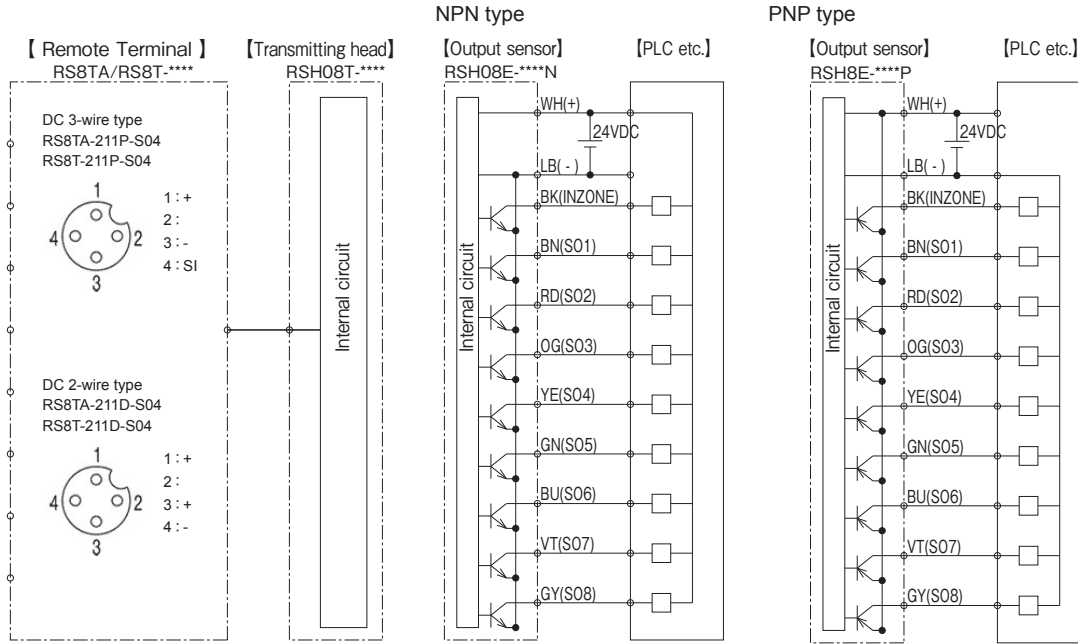
Index

-Please refer to the instruction of User's guide supplied with the products for installation and operation.

-Please note that the cable length of an output sensor may not longer than 10m. The CE marking verifies that our products comply with the requirements of EMC directive. The surge test to an output sensor is not carried out. If the cable length of the output section will be used in the wiring of more than 10m, Please take care that the surge of excess is not applied.

**C025** DC 2-wire Detector type / DC 3-wire Detector type No. of signal : 8

RS8T/RS8TA-211\_S04 / RSH8T-030-PU / RSH8E-030 □ -PU



**C026** DC 2-wire Detector type / DC 3-wire Detector type No. of signal : 16

RS16TA/RS16T-211\_S04 / RSH16T-030-PU / RSH16E-030 □ -PU  
 RS16TB-211P-S04 / RSH16TB-030-PU / RSH16EB-030P-PU

