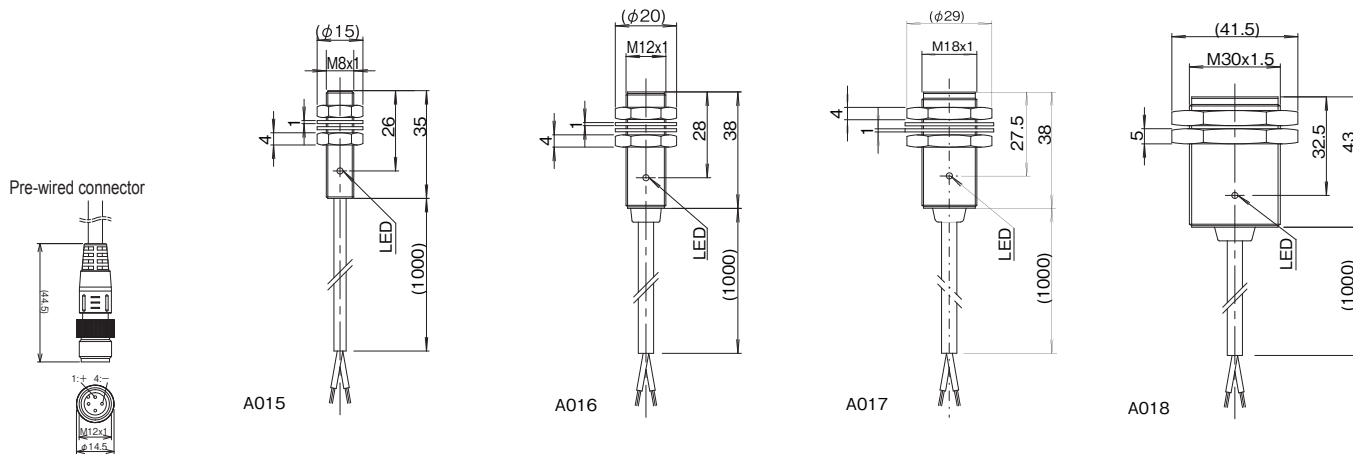
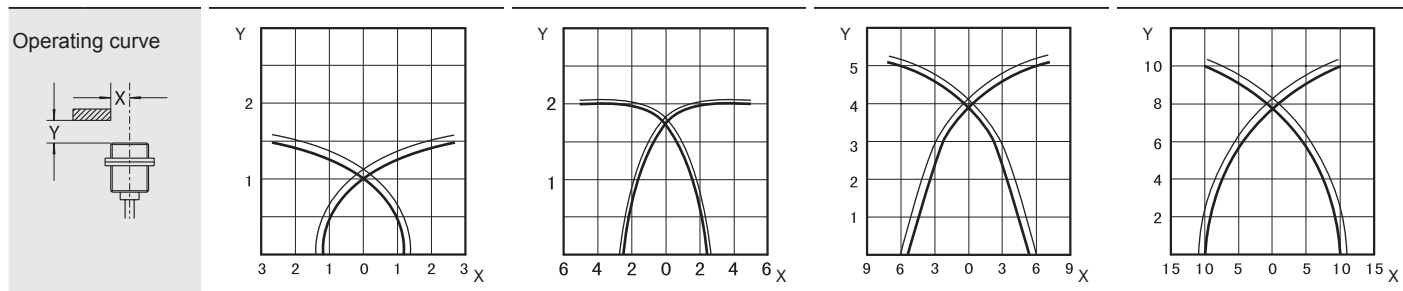


Exclusive proximity sensor with LED / RFD series

Applicable Transmitter	Transmitter of DC 2-wire detector type (Ref. P.48...65)			
Rated operating distance	1.5mm	2mm	5mm	10mm
Assured operating distance	0...1.2mm	0...1.6mm	0...4mm	0...8mm
Size of Detector	M8	M12	M18	M30



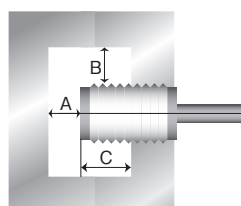
Type Code	RFD-0801-PU-01	RFD-1202-PU-01	RFD-1805-PU-01	RFD-3010-PU-01
Applicable Transmitter	RPT_ -xxxxD	RPT_ -xxxxD RS_T-2xxD-S04	RPT_ -xxxxD RS_T-2xxD-S04	RPT_ -xxxxD RS_T-2xxD-S04
Frequency of operation	30Hz	30Hz	30Hz	30Hz
LED	Function indication	Function indication	Function indication	Function indication
Operating temperature	0...+50°C	0...+50°C	0...+50°C	0...+50°C
Protection class	IP67	IP67	IP67	IP67
Material Housing	Stainless steel	Nickel plated brass	Nickel plated brass	Nickel plated brass
Active face	Nylon 12	Nylon 12	Nylon 12	Nylon 12
Cable	PUR / φ 3.3 , 2x0.14mm ²	PUR / φ 5 , 2x0.34mm ²	PUR / φ 5 , 2x0.34mm ²	PUR / φ 5 , 2x0.34mm ²
Weight	25 g +15 g x 1 m	30 g +25 g x 1 m	50 g +25 g x 1 m	110 g +25 g x 1 m
Pre-wired connector type	---	RFD-1202-PU-CP1.0	RFD-1805-PU-CP1.0	RFD-3010-PU-CP1.0



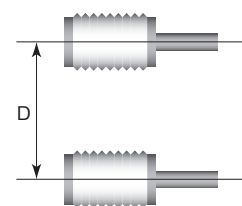
Installation notes

In order to avoid influence of surrounding metal, or to avoid mutual influence between parallel-mounted sensors, keep the minimum free zone as described below.

Surrounding metal



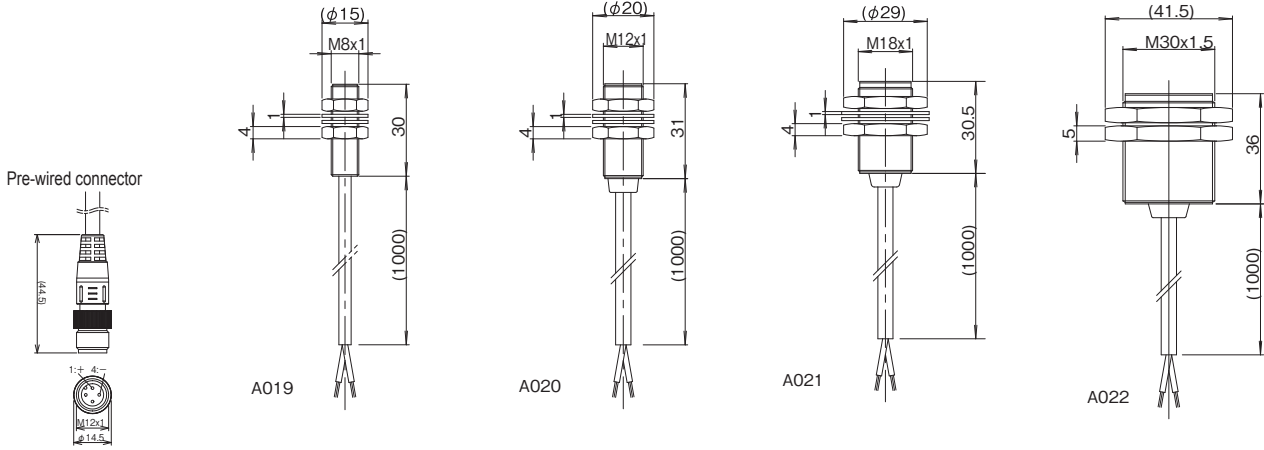
Parallel installation



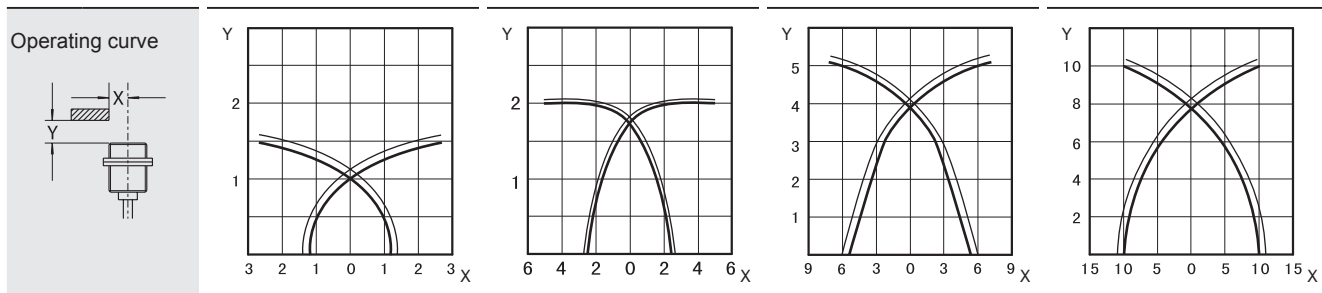
RFD (with LED)	RXD (without LED)	A(mm)	B(mm)	C(mm)	D(mm)
RFD-0801-PU	RXD-0801-PU	5	4	0	15
RFD-1202-PU	RXD-1202-PU	8	6	0	20
RFD-1805-PU	RXD-1805-PU	20	9	0	35
RFD-3010-PU	RXD-3010-PU	40	15	0	70

Exclusive proximity sensor without LED / RXD series

Applicable Transmitter	Transmitter of Exclusive detector type (Ref. P.66...69)			
Rated operating distance	1.5mm	2mm	5mm	10mm
Assured operating distance	0...1.2mm	0...1.6mm	0...4mm	0...8mm
Size of Detector	M8	M12	M18	M30



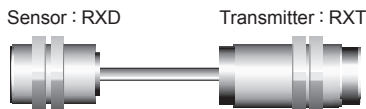
Type Code	RXD-0801-PU-01	RXD-1202-PU-01	RXD-1805-PU-01	RXD-3010-PU-01
Applicable Transmitter	RXT-xxxx RXT8-xxxx	RXT-xxxx RXT8-xxxx	RXT-xxxx RXT8-xxxx	RXT-xxxx RXT8-xxxx
Frequency of operation	25Hz	25Hz	25Hz	25Hz
LED	No	No	No	No
Operating temperature	0...+50°C	0...+50°C	0...+50°C	0...+50°C
Protection class	IP67	IP67	IP67	IP67
Material Housing	Stainless steel	Nickel plated brass	Nickel plated brass	Nickel plated brass
Active face	Nylon 12	Nylon 12	Nylon 12	Nylon 12
Cable	PUR / ϕ 3.3, 2x0.14mm ²	PUR / ϕ 5, 2x0.34mm ²	PUR / ϕ 5, 2x0.34mm ²	PUR / ϕ 5, 2x0.34mm ²
Weight	15 g +15 g x 1 m	15 g +25 g x 1 m	35 g +25 g x 1 m	90 g +25 g x 1 m
Pre-wired connector	---	RXD-1202-PU-CP1.0	RXD-1805-PU-CP1.0	RXD-3010-PU-CP1.0



See P.106 for installation notes.

How to order detector/transmitter cable molded type

An exclusive sensor RXD and a transmitter RXT can be supplied as a product which is pre-wired by one cable.



Specify size and cable length of Detector and Transmitter to order.

RXD18 / RXT12 - PU-1.0

Size of Detector	Size of Transmitter	Cable length
08 = M8	12 = M12	0.5 = 50cm
12 = M12	18 = M18	1.0 = 1m (standard)
18 = M18		1.5 = 1.5m
30 = M30		2.0 = 2m

Accessories

Exclusive sensor

Terminal box
Other unit