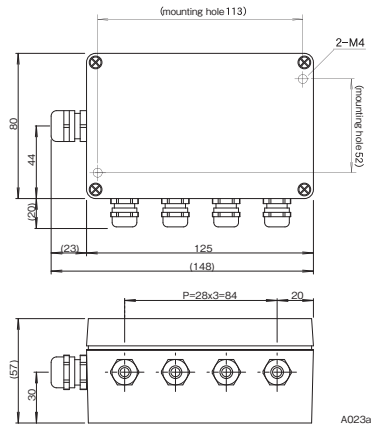


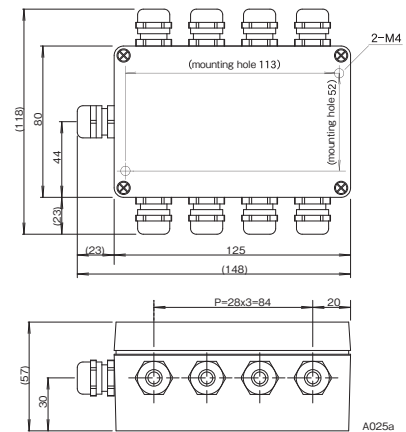
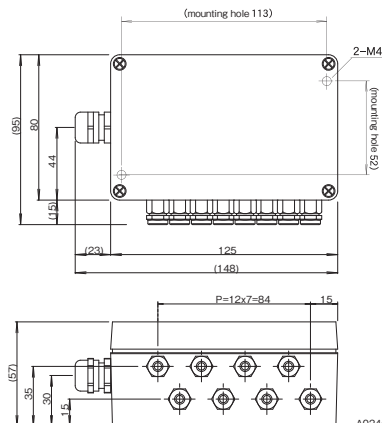
#### Terminal Box / Standard type for DC 3-wire and DC 2-wire Detector type

Number of Detector	4 detectors
--------------------	-------------



Type Code	<b>RPK-2102</b>
Material Body	Aluminum die casting
Gasket	Neoprene rubber
Protection class	IP65
Terminal block	for Transmitter 6 pole x 2, for Detector 8 pole x 3
Cable gland	for Transmitter PG9 x 1, for Detector PG7 x 4
Changeover SW1	Changeover NPN/PNP
Switch SW2	Changeover 3-wire/2-wire
Applicable cable outer diameter	φ 2...6.5mm
Mounting	M4 allen screw x 2
Weight	600 g

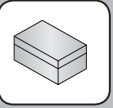
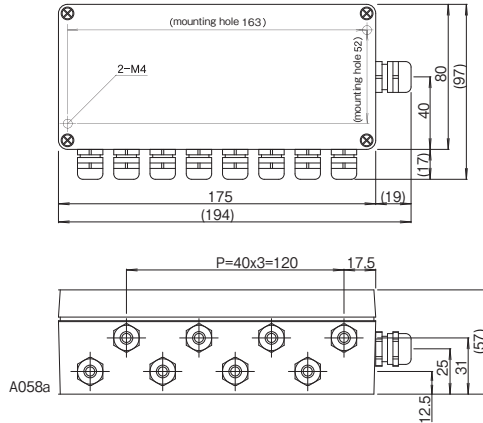
Number of Detector	8 detectors	8 detectors
--------------------	-------------	-------------



Type Code	<b>RPK-2101</b>	<b>RPK-2103</b>
Material Body	Aluminum die casting	Aluminum die casting
Gasket	Neoprene rubber	Neoprene rubber
Protection class	IP65	IP65
Terminal block	for Transmitter 6 pole x 2, for Detector 8 pole x 3	for Transmitter 6 pole x 2, for Detector 8 pole x 3
Cable gland	for Transmitter PG9 x 1, for Detector M8 x 8	for Transmitter PG9 x 1, for Detector PG9 x 8
Changeover SW1	Changeover NPN/PNP	Changeover NPN/PNP
Switch SW2	Changeover 3-wire/2-wire	Changeover 3-wire/2-wire
Applicable cable outer diameter	φ 3...5.5mm	φ 4...8mm
Mounting	M4 allen screw x 2	M4 allen screw x 2
Weight	600 g	600 g

Terminal Box / Standard type for DC 2-wire and Exclusive Detector type

Number of Detector	8 detectors
--------------------	-------------



Type Code	<b>RFK-3101</b>
Material Body	Aluminum die casting
Gasket	Neoprene rubber
Protection class	IP65
Terminal block	for Transmitter 12 pole x 1, for Detector 12 pole x 1
Cable gland	for Transmitter PG9 x 1, for Detector PG7 x 8
Changeover SW1	---
Switch SW2	---
Applicable cable outer diameter	φ 2...6.5mm
Mounting	M4 allen screw x 2
Weight	800 g

Accessories

Exclusive sensor

Terminal box  
Other unit

- These products are the terminal box for connecting Transmitter and Detector.
- The blank plugs are supplied with the terminal box to seal unused cable entries.
- Before use, please read the instructions in user's guide attached to products.

### Terminal Box / Waterproof type for DC 3-wire and DC 2-wire Detector type

Number of Detector	8 detectors	8 detectors
	A026-e	A027-e

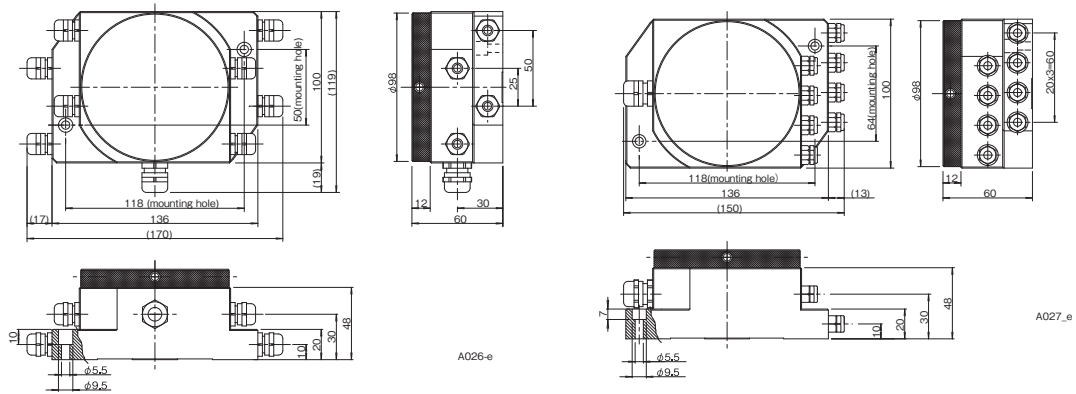
Type Code	RPK-A098-02	RPK-A098-03
Material Body	Aluminum casting/Machined aluminum	Aluminum casting/Machined aluminum
Gasket	Viton	Viton
Protection class	IP67	IP67
Terminal block	for Transmitter 12 pole x 1, for Detector 12 pole x 2	for Transmitter 12 pole x 1, for Detector 12 pole x 2
Cable gland	for Transmitter PG9 x 1, for Detector PG7 x 8	for Transmitter PG9 x 1, for Detector M8 x 8
Changeover SW1	Changeover NPN/PNP	Changeover NPN/PNP
Switch SW2	Changeover 3-wire/2-wire	Changeover 3-wire/2-wire
Applicable cable outer diameter	φ 4...6.5mm	φ 3...5mm
Mounting	M5 allen screw x 2	M5 allen screw x 2
Weight	1,200 g	1,200 g

Number of Detector	8 detectors	15 detectors
	A028	A029

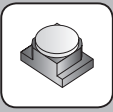
Type Code	RPK-B148-02	RPK-B148-03
Material Body	Aluminum casting/Machined aluminum	Aluminum casting/Machined aluminum
Gasket	Viton	Viton
Protection class	IP67	IP67
Terminal block	for Transmitter 6 pole x 2, for Detector 8 pole x 3	for Transmitter 18 pole x 1, for Detector 15 pole x 2
Cable gland	for Transmitter PG9 x 1, for Detector PG7 x 8	for Transmitter PG9 x 1, for Detector PG7 x 16
Changeover SW1	Changeover NPN/PNP	---
Switch SW2	Changeover 3-wire/2-wire	---
Applicable cable outer diameter	φ 4...6.5mm	φ 4...6.5mm
Mounting	M5 allen screw x 2	M5 allen screw x 2
Weight	1,800 g	1,800 g

Terminal Box / Waterproof type for DC 2-wire and Exclusive Detector type

Number of Detector	8 detectors	8 detectors
--------------------	-------------	-------------



Type Code	RFK-A098-02	RFK-A098-03
Material Body	Aluminum casting/Machined aluminum	Aluminum casting/Machined aluminum
Gasket	Viton	Viton
Protection class	IP67	IP67
Terminal block	for Transmitter 12 pole x 1, for Detector 12 pole x 1	for Transmitter 12 pole x 1, for Detector 12 pole x 1
Cable gland	for Transmitter PG9 x 1, for Detector PG7 x 8	for Transmitter PG9 x 1, for Detector M8 x 8
Changeover SW1	---	---
Switch SW2	---	---
Applicable cable outer diameter	φ 4...6.5mm	φ 3...5mm
Mounting	M5 allen screw x 2	M5 allen screw x 2
Weight	1,200 g	1,200 g



Accessories

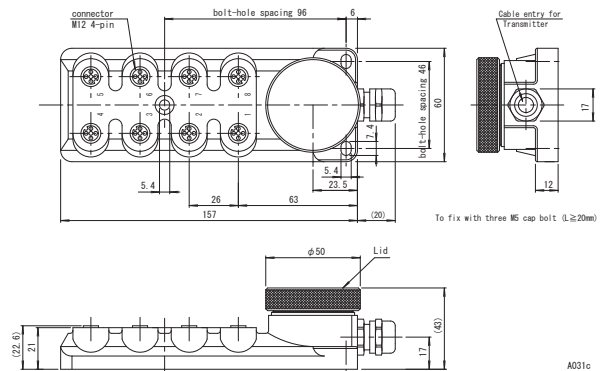
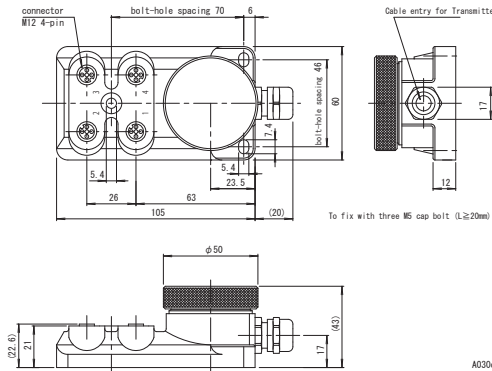
Exclusive sensor

Terminal box  
Other unit

- These products are the terminal box for connecting Transmitter and Detector.
- The blank plugs are supplied with the terminal box to seal unused cable entries.
- Before use, please read the instructions in user's guide attached to products.

### Terminal Box/Connector type for DC 3-wire and DC 2-wire Detector type

Number of Detector	4 detectors	8 detectors
--------------------	-------------	-------------

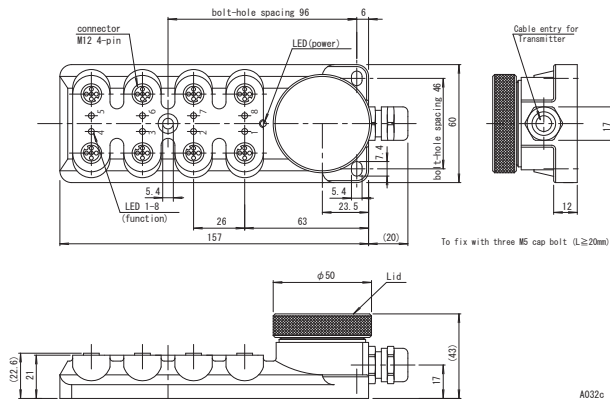


Type	DC3W/NPN	<b>RPK-4C01-N</b>
Code	DC3W/PNP	<b>RPK-4C01-P</b>
LED	---	
Material	Body	Aluminum casting
	Cap	Machined aluminum
	Gasket	Viton
Protection class	IP67	
Connection	Transmitter	7 pole screwless terminal block
	Detector	4 pole connector ( M12 x 4 )
Cable gland	Transmitter	PG9 x 1
Changeover switch	4-pole DIP switch for changeover of 2-wire and 3-wire detector	
Mounting	M5 allen screw x 3	
Weight	300 g	

Type	DC3W/NPN	<b>RPK-8C01-N</b>
Code	DC3W/PNP	<b>RPK-8C01-P</b>
LED	---	
Material	Body	Aluminum casting
	Cap	Machined aluminum
	Gasket	Viton
Protection class	IP67	
Connection	Transmitter	12 pole screwless terminal block
	Detector	4 pole connector ( M12 x 8 )
Cable gland	Transmitter	PG9 x 1
Changeover switch	8 pole DIP switch for changeover of 2-wire and 3-wire detector	
Mounting	M5 allen screw x 3	
Weight	500 g	

Number of Detector	8 Detectors
--------------------	-------------

Applicable Transmitter  
RGPT-3005  
RGPT-4008  
RGPT-9012



Type	DC3W/NPN	<b>RPK-8C01L-N</b>
Code	DC3W/PNP	<b>RPK-8C01L-P</b>
LED	Function indication/Power	
Material	Body	Aluminum casting
	Cap	Machined aluminum
	Gasket	Viton
Protection class	IP67	
Connection	Transmitter	11 pole screwless terminal block
	Detector	4 pole connector ( M12 x 8 )
Cable gland	Transmitter	PG9 x 1
Changeover switch	Only for DC 3-wire sensors	
Mounting	M5 allen screw x 3	
Weight	500 g	

### Using DC 2-wire sensors

- DC 2-wire sensor can be used with RPK-4C01- N/P and RPK-8C01- N/P by switching the 3-wire/2-wire changeover switch.

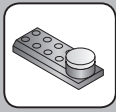
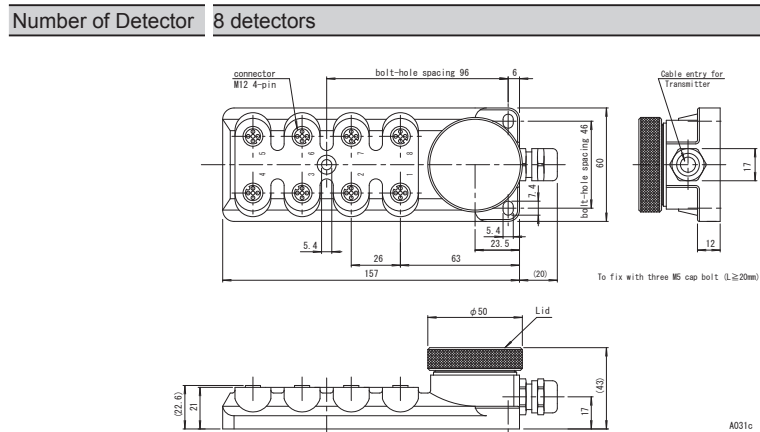
RPK-4C01-   
Use transmitter : RPTA-1803-PU, RPTA-3005-PU

Detection sensor to be used	Applicable Terminal box	3-wire/2-wire changeover switch
DC 3-wire	NPN	RPK-4C01-N
	PNP	RPK-4C01-P
DC 2-wire	Non-polar	RPK-4C01-N
	Polar	RPK-4C01-P

RPK-8C01-   
Use transmitter : RPTA-8010-PU, RGPT series

Detection sensor to be used	Applicable Terminal box	3-wire/2-wire Changeover Switch
DC 3-wire	NPN	RPK-8C01-N
	PNP	RPK-8C01-P
DC 2-wire	Non-polar	RPK-8C01-N
	Polar	RPK-8C01-P

Terminal Box/Connector type for Exclusive proximity sensor type



<b>Type Code RXD</b>	<b>RFK-8C01</b>
<b>LED</b>	---
<b>Material</b>	<b>Body</b> Aluminum casting
	<b>Cap</b> Machined aluminum
	<b>Gasket</b> Viton
<b>Protection class</b>	IP67
<b>Connection</b>	<b>Transmitter</b> 12 pole screwless terminal block
	<b>Detector</b> 4 pole connector ( M12 x 8 )
<b>Cable gland</b> Transmitter	PG9 x 1
<b>Changeover switch</b>	Exclusive proximity sensor RXD only
<b>Mounting</b>	M5 allen screw x 3
<b>Weight</b>	500 g

Accessories

Exclusive sensor

Terminal box  
Other unit

- These products are the terminal box for connecting Transmitter and Detector.
- The blank caps are supplied with the terminal box to seal unused connectors.