

Wireless Power Supply & DeviceNet communication

B&PLUS has offered various Remote system meet customer's needs.

Since 1985
Remote system released



Switch Signal Transmission
/Input 8+Output 8

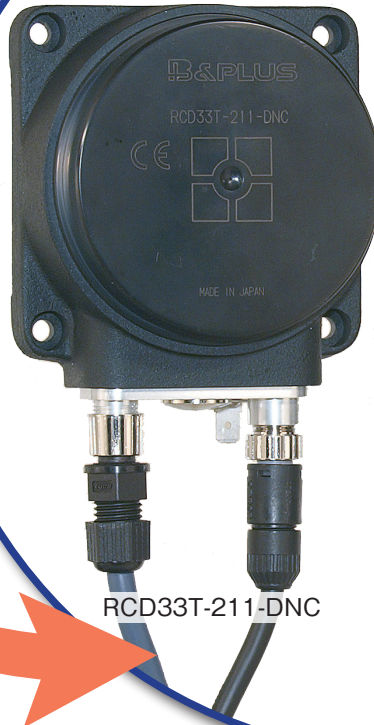


RS-232C
Data Transmission



CC-Link
Data Transmission

24VDC/2A
+
DeviceNet signal
Transmission



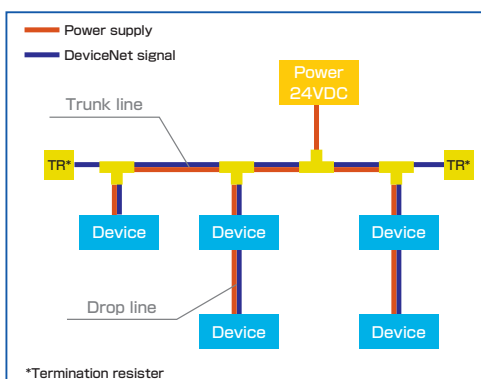
RCD33T-211-DNC



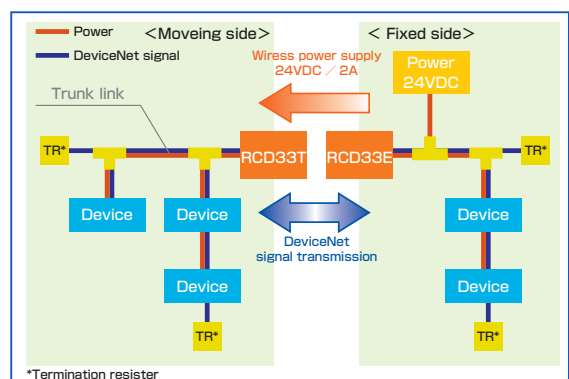
RCD33E-211-DNC

Remote coupler system makes DeviceNet movable !!

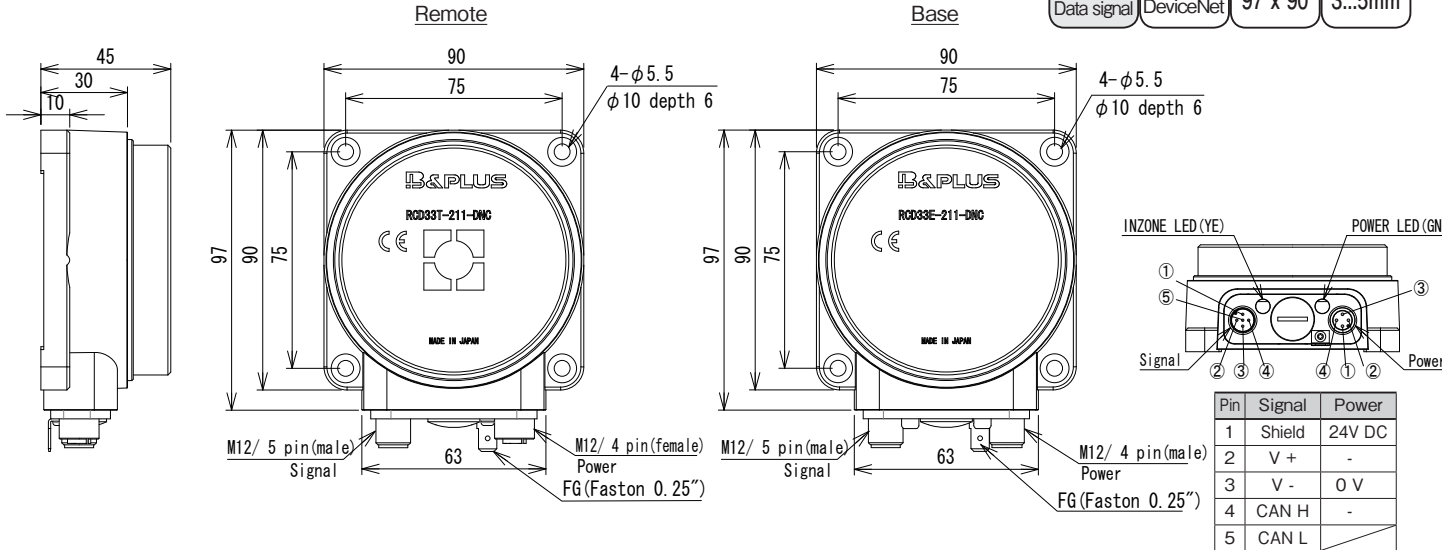
RCD33E/RCD33T connect the trunk line or the drop line of DeviceNet wirelessly.



Apply Remote coupler system!



 Data signal	 DeviceNet	Size 97 x 90	Distance 3...5mm
---	---	-----------------	---------------------



Remote	
Type code	DeviceNet RCD33T-211-DNC
Drive voltage	24V ± 1.5V DC
Drive current	≤ 2A
Operating distance	3...5mm
Center offset	± 4mm
Drive current	≤ 2A
Operating Temperature	0...+50°C
Protection class	IP 67
Connector	M12 / Signal : 5 pin (Male), Power : 4 pin (Female)
Material Housing	Aluminum+alumite treated (metal)
Material Active surface	ABS + PBT (resin)
Note	

Base	
Type code	DeviceNet RCD33E-211-DNC
Operational voltage	24V DC ± 5% (incl. Ripple)
Current consumption	≤ 3A
Communication	DeviceNet (CAN-Bus) data
Delay	≤ 0.5μsec.
Start-up time	≤ 2sec.*
Operating Temperature	0...+50°C
Connector Signal	M12 / 5 pin Male
Connector Power	M12 / 4 pin Male (Available accessory : CBL-RCD-PW2X1.5-10)
Protection class	IP 67
Material Housing	Aluminum+alumite treated (metal)
Material Active surface	ABS + PBT (resin)
Note	

* It is the time of Remote system.
The start-up time of DeviceNet varies with system.

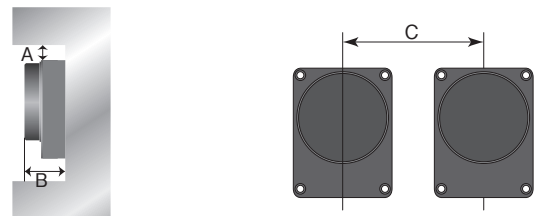
Note

- It is not built in the terminator. Prepare the terminator when necessary.
- The baud rate of RCD33 is 125K ... 500K bps.
- The connector and cable should be prepared separately.

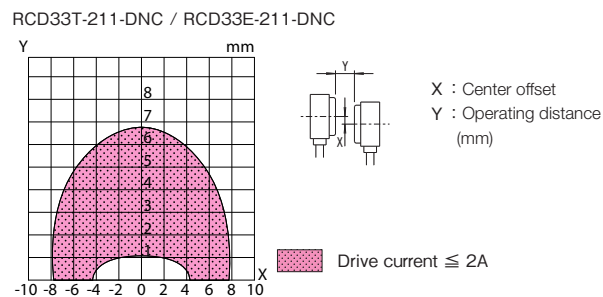
Mounting

In order to avoid influence of surrounding metal, or to avoid mutual influence between parallel-mounted sensors, keep the minimum free zone as described below.

Influence of surrounding metal Mutual interference



Typical Transmitting Diagram (Supply voltage at 24V / non-flush mount)



Type code	A(mm)	B(mm)	C(mm)
RCD33T-211-DNC	50	45	300
RCD33E-211-DNC			

B & PLUS K.K.

Mail : bp-tech@b-plus-kk.jp
Web : http://www.b-plus-kk.jp

* Contents is subject to change without notice.